

SINGER
6021/6221/4538

6021, 6221 & 4538 MODELS
REVISION RECORD

| REV. | DESCRIPTION | APPROVAL AND DATE |
|------|--|---|
| 1 | <p>ADOPTED BY SERVICE LETTER NBR 009</p> <p>CHANGED REF. NBR 01 FROM P/N 531739-451 TO P/N 355241-451 PAGE 28</p> <p>ADDED REF. NBR 16 P/N 618638-005 PAGE 27/28</p> <p>CHANGED REF. NBR 15 FROM P/N 445539 TO P/N 445765 PAGE 30</p> <p>CHANGED REF. NBR 13 FROM P/N 356165 TO P/N 356605 PAGE 38</p> | <p>X.</p> <p>3425</p> <p>08/17/89</p> <p>3425</p> <p>08/08/89</p> <p>3488</p> <p>10/15/89</p> <p>3413</p> <p>09/06/89</p> |
| 2 | <p>CHANGED REF. NBR 50 FROM P/N 141938-833 TO P/N 141803-830 PAGE 16</p> <p>CHANGED REF. NBR 18 FROM P/N 353438 TO P/N 353438-001 PAGE 18</p> <p>CHANGED REF. NBR 20 FROM P/N 141938-833 TO P/N 141803-830 PAGE 22</p> <p>CHANGED REF. NBR 04 FROM P/N 549426-451 TO P/N 445808 PAGE 34</p> | <p>7029</p> <p>03/27/89</p> <p>3405</p> <p>08/20/89</p> <p>7029</p> <p>03/27/89</p> <p>3488</p> <p>10/22/89</p> |
| 3 | <p>CHANGED REF. NBR 10 FROM P/N 381213 TO P/N 356630 PAGE 01/02</p> <p>ADDED REF. NBR 29 P/N 356819 PAGE 17/18</p> <p>ADDED REF. NBR 21 P/N 353410-900 PAGE 23/24</p> <p>ADDED REF. NBR 22 P/N 141938-833 PAGE 23/24</p> <p>ADDED REF. NBR 23 P/N 353367-451 PAGE 23/24</p> <p>ADDED REF. NBR 24 P/N 544117 PAGE 23/24</p> <p>ADDED REF. NBR 25 P/N 618638-004 PAGE 23/24</p> <p>CHANGED REF. NBR 12 FROM P/N 113455-001 TO P/N 355243-451 PAGE 38</p> | <p>7121</p> <p>06/18/90</p> <p>7156</p> <p>08/20/90</p> <p>7165</p> <p>07/30/90</p> <p>7165</p> <p>07/30/90</p> <p>7165</p> <p>07/30/90</p> <p>7165</p> <p>07/30/90</p> <p>7165</p> <p>07/30/90</p> <p>3437</p> <p>11/13/89</p> |
| 4 | <p>CHANGED REF. NBR 08 FROM P/N 531772-451 TO P/N 356799-451 PAGE 33/34</p> <p>CHANGED REF. NBR 08 FROM P/N 356139-453 TO P/N 356790-453 PAGE 33/34</p> <p>CHANGED REF. NBR 09 FROM P/N 531771-451 TO P/N 356800-451 PAGE 33/34</p> <p>CHANGED REF. NBR 09 FROM P/N 356138-453 TO P/N 356791-453 PAGE 33/34</p> <p>DELETED P/N 445945 PAGE 33/34</p> <p>DELETED P/N 113433-451 PAGE 33/34</p> <p>DELETED P/N 353445 PAGE 33/34</p> <p>CHANGED REF. NBR 13 FROM P/N 179903-451 TO P/N 356654-451 PAGE 33/34</p> | <p>7195</p> <p>09/18/90</p> <p>7195</p> <p>09/18/90</p> <p>7195</p> <p>09/18/90</p> <p>7195</p> <p>09/18/90</p> <p>7195</p> <p>09/18/90</p> <p>7195</p> <p>09/18/90</p> <p>7195</p> <p>09/18/90</p> <p>7195</p> <p>09/18/90</p> |

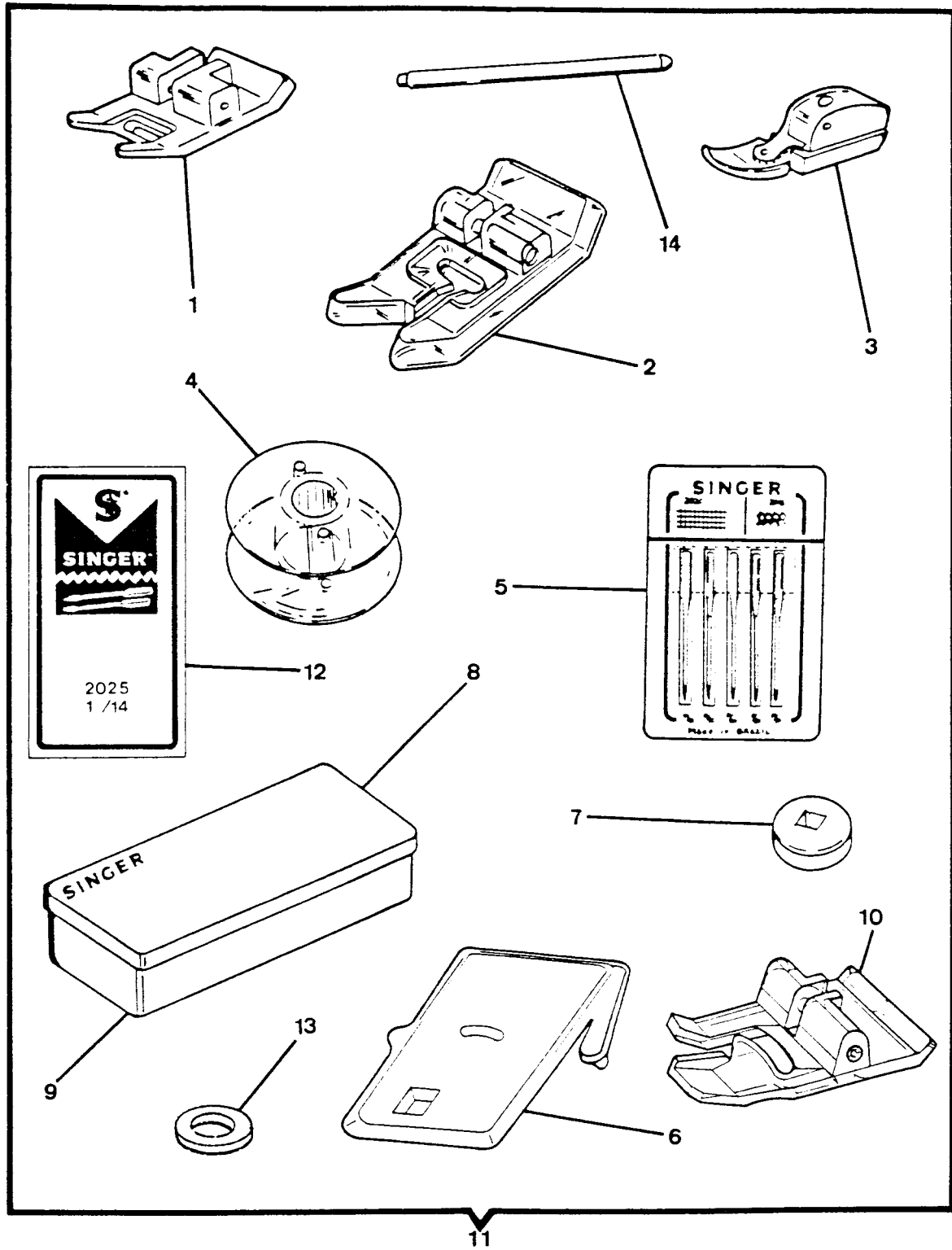
6021, 6221 & 4538 MODELS
REVISION RECORD

| REF. | DESCRIPTION | APPROVAL AND DATE |
|------|---|--|
| 4 | CHANGED REF. NBR 13 FROM P/N 531920-451 TO P/N 356654-455 PAGE 33/ 34 DELETED P/N 445721 PAGE 35/36 ADDED REF. NBR 24 P/N 618638-005 PAGE 35/36 CHANGED REF. NBR 25 FROM P/N 353446 TO P/N 356650 PAGE 35/36 CHANGED REF. NBR 26 FROM P/N 44612 TO P/N 44892 PAGE 35/36 CHANGED REF. NBR 27 FROM P/N 353305 TO P/N 356652 PAGE 35/36 ADDED REF. NBR 30 P/N 356830-001 PAGE 35/36 | 7195 09/18/90 7195 09/18/90 7195 09/18/90 7195 09/18/90 7195 09/18/90 7195 09/18/90 7230 10/25/90 |
| | | From the library of: Diamond Needle Corp |

INDEX

| PAGE NBR | SUB-ASSEMBLY |
|----------|------------------------------------|
| 01 - 02 | ATTACHMENT SET |
| 03 - 06 | ARM, BED, THROAT PLATE & BED SLIDE |
| 07 - 12 | COVERS & ADD-ONS |
| 13 - 16 | NEEDLE BAR, PRESSER BAR & TAKE-UP |
| 17 - 18 | ARM SHAFT DRIVE |
| 19 - 20 | HAND WHEEL |
| 21 - 22 | TENSION ASSEMBLY |
| 23 - 24 | HOOK SYSTEM |
| 25 - 26 | BIGHT AMPLITUDE |
| 27 - 28 | NEEDLE POSITION |
| 29 - 30 | DISC SELECTION ASSEMBLY |
| 31 - 32 | CAM STACK |
| 33 - 36 | BUTTONHOLER & FEED REGULATOR CAM |
| 37 - 38 | CAM CONTROLLED FEED |
| 39 - 42 | FEED SYSTEM |
| 43 - 44 | OPTIONS |
| 45 - 51 | ELECTRICAL EQUIPMENT |

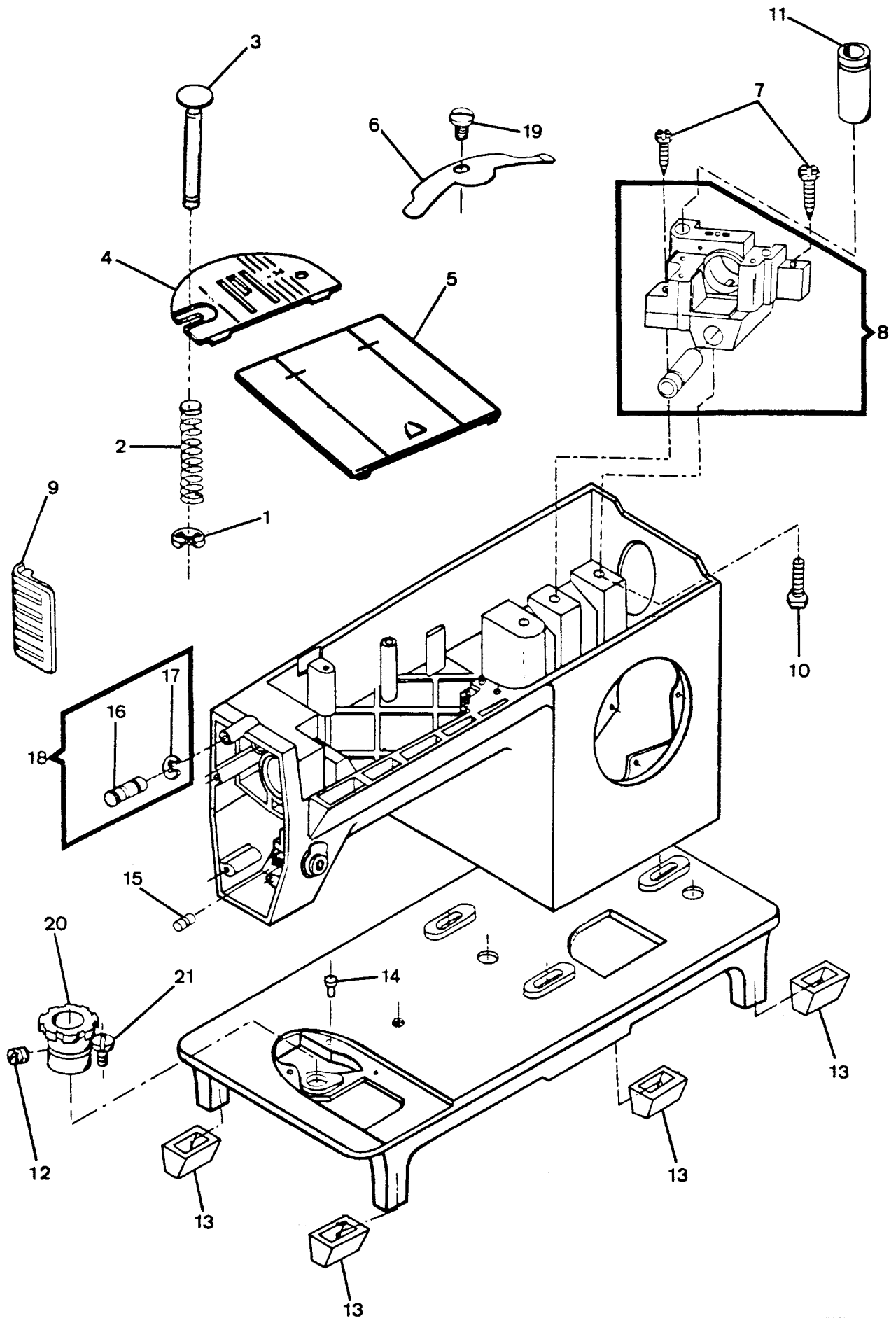
ATTACHMENT SET



PART LIST
ATTACHMENT SET

| REF. | PART NBR | DESCRIPTION | 6 6 4 | | |
|------|------------|--|-------|---|---|
| | | | 0 | 2 | 5 |
| | | | 2 | 2 | 3 |
| | | | 1 | 1 | 8 |
| 01 | 446492-451 | SPECIAL PURPOSE PRESSER FOOT PLATE (SNAP-ON) | X | X | X |
| 02 | 161927 | PRESSER FOOT PLATE (SNAP-ON) FOR SEWING BUTTONHOLES | X | X | X |
| 03 | 507836 | PRESSER FOOT PLATE (SNAP-ON) COMPLETE FOR CORDING & SLIDE FASTENERS | X | X | X |
| 04 | 172336 | BOBBIN (PLASTIC) | X | X | X |
| 05 | 353364 | NEEDLE PACK | X | X | X |
| 06 | 313117 | FEED COVER PLATE | | X | X |
| 06 | 381495 | FEED COVER PLATE | X | | |
| 07 | 507664-459 | ARM TOP COVER SPOOL PIN THREAD LEAF-OFF | X | X | X |
| 08 | 446149-453 | ATTACHMENT BOX COVER (PLASTIC) | X | X | X |
| 09 | 446148-454 | ATTACHMENT BOX BASE (PLASTIC) | X | X | X |
| 10 | 356630 | BLIND STITCH GUIDE | X | X | X |
| 11 | 446496-010 | ATTACHMENT SET COMPLETE | | X | |
| 11 | 356167-004 | ATTACHMENT SET COMPLETE (FOR USA/CANADA ONLY) | | | X |
| 11 | 531673 | ATTACHMENT SET COMPLETE | X | | |
| 11 | 356211-005 | ATTACHMENT SET COMPLETE (FOR AMEDO ONLY) | | X | |
| 11 | 446496-009 | ATTACHMENT SET COMPLETE | | | X |
| 12 | 531868 | NEEDLE PACK WITH 2025N (FOR USA/CANADA) | X | X | X |
| 13 | 8879-455 | SPOOL PIN FELT FOR TWIN NEEDLE (FOR USA/CAN.) | X | X | X |
| 14 | 179948-451 | SPOOL PIN FOR TWIN NEEDLE (FOR USA/CANADA) | X | X | X |

ARM, BED, THROAT PLATE & BED SLIDE



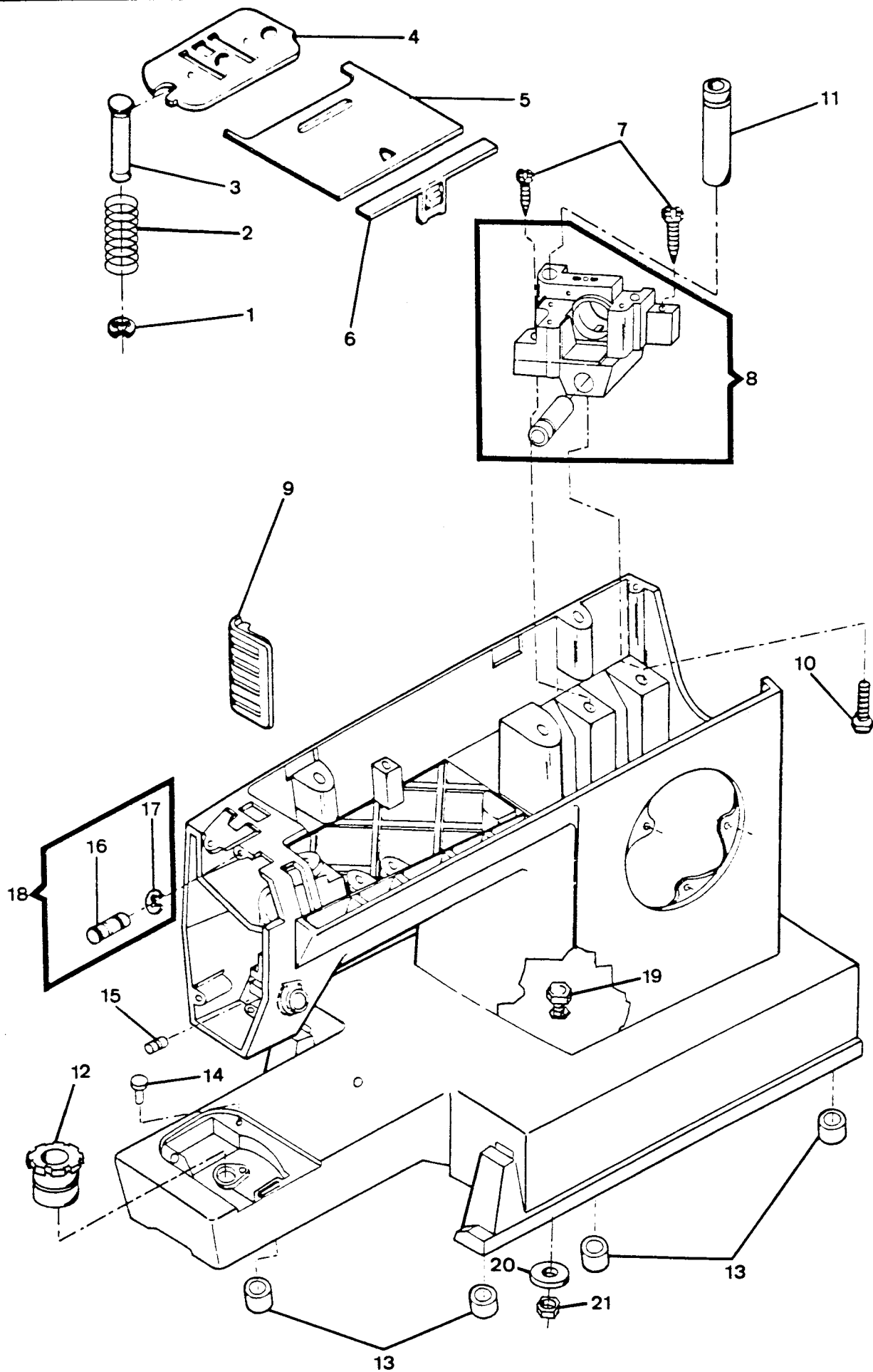
From the library of: Diamond Needle Corp

PART LIST
ARM, BED, THROAT PLATE & BED SLIDE

6 6 4
0 2 5
2 2 3
1 1 8

| REF. | PART NBR | DESCRIPTION | 1 | 1 | 8 |
|------|------------|--|---|---|---|
| 01 | 445721 | THROAT PLATE CLAMP SPRING RETAINING RING | X | | |
| 02 | 444889 | THROAT PLATE CLAMP SPRING | X | | |
| 03 | 444888 | THROAT PLATE CLAMP | X | | |
| 04 | 531663 | THROAT PLATE | X | | |
| 05 | 446151 | BED SLIDE | X | | |
| 06 | 37239 | BED SLIDE SPRING (SNAP-ON) | X | | |
| 07 | 113455-006 | ARM SHAFT (REAR) HOUSING MOUNTING SCREW | X | | |
| 08 | 446347-001 | ARM SHAFT (REAR) HOUSING ASSEMBLY | X | | |
| 09 | 353360-45X | ARM INSERT (MOTOR VENT GRILL) | X | | |
| 10 | 446349-451 | ARM SHAFT (REAR) HOUSING MOUNTING BOLT | X | | |
| 11 | 446465 | ARM TOP COVER SUPPORT STUD | X | | |
| 12 | 141925-833 | ROTATING HOOK FLANGED BUSHING (ECCENTRIC) SET SCREW | X | | |
| 13 | 446154-451 | BED CUSHION | X | | |
| 14 | 179943 | THROAT PLATE POSITION PIN | X | | |
| 15 | 446358 | TENSION RELEASING LEVER HINGE PIN | X | | |
| 16 | 446375 | THREAD TAKE-UP LEVER LINK HINGE STUD | X | | |
| 17 | 353215 | BUTTONHOLER NEEDLE POSITION CAM FOLLOWER LEVER RETAINING RING | X | | |
| 18 | 353623 | THREAD TAKE-UP LEVER LINK HINGE STUD WITH RING | X | | |
| 19 | 354552-451 | BED SLIDE SPRING SCREW | X | | |
| 20 | 44512 | ROTATING HOOK BUSHING | X | | |
| 21 | 139943-803 | ROTATING HOOK FLANGED BUSHING POSITIONING ADJUSTING SCREW | X | | |

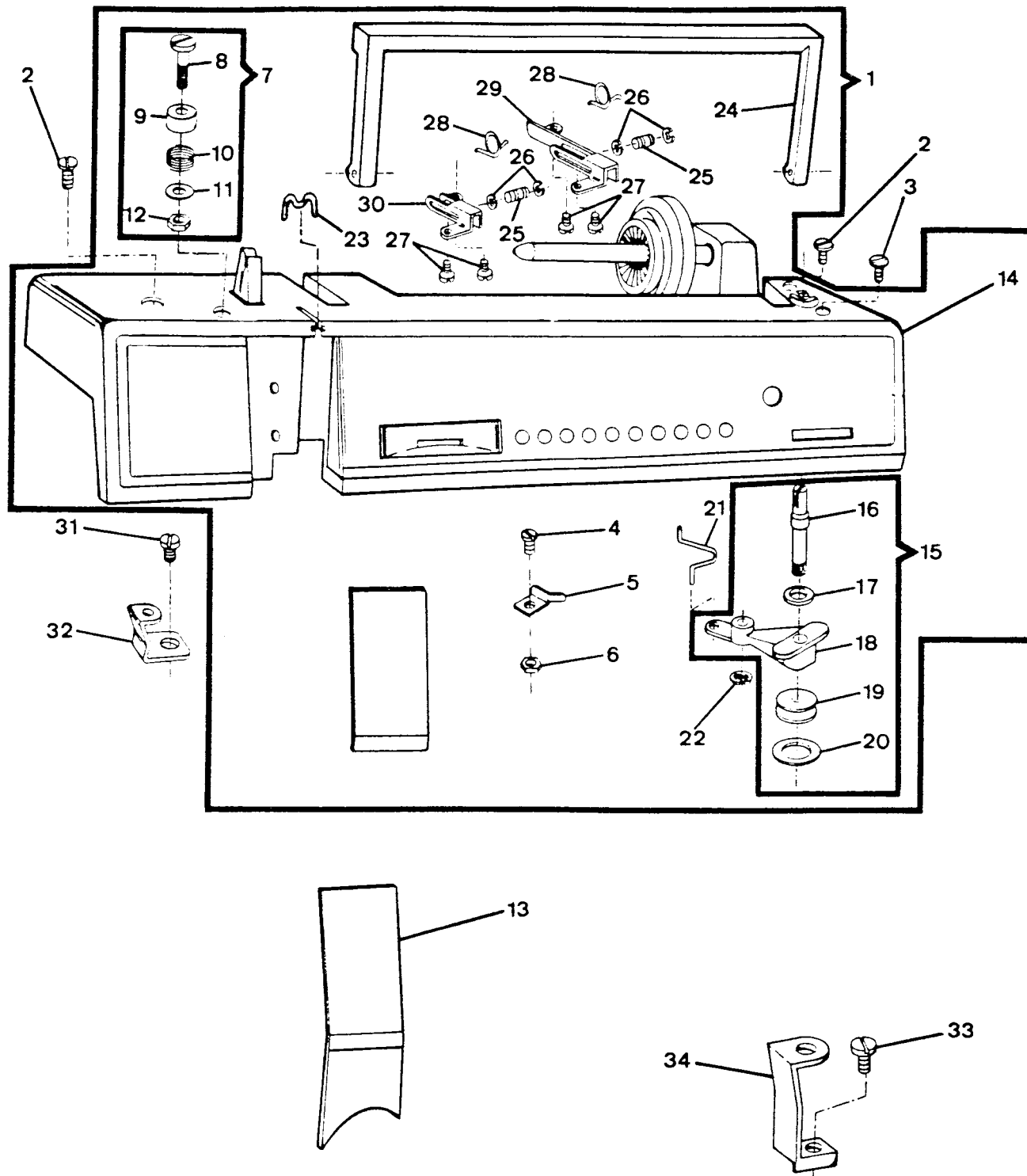
ARM, BED, THROAT PLATE & BED SLIDE (CONT.)



PART LIST
 ARM, BED, THROAT PLATE & BED SLIDE (CONT.)

| | | |
|---|---|---|
| 6 | 6 | 4 |
| 0 | 2 | 5 |
| 2 | 2 | 3 |
| 1 | 1 | 8 |

| REF. | PART NBR | DESCRIPTION | | | |
|------|------------|--|---|---|--|
| 01 | 179926 | THROAT PLATE CLAMP SPRING RETAINING RING | X | X | |
| 02 | 353494 | THROAT PLATE CLAMP SPRING | X | X | |
| 03 | 353597 | THROAT PLATE CLAMPING SPRING | X | X | |
| 04 | 312777 | THROAT PLATE FOR ZIG-ZAG SEWING | X | X | |
| 05 | 446481 | BED SLIDE | X | X | |
| 06 | 446482 | BED SLIDE SPRING (SNAP-ON) | X | X | |
| 07 | 113455-006 | ARM SHAFT (REAR) HOUSING MOUNTING SCREW | X | X | |
| 08 | 446347-002 | ARM SHAFT (REAR) HOUSING ASSEMBLY | X | X | |
| 09 | 353360-451 | ARM INSERT (MOTOR VENT GRILL) | X | X | |
| 10 | 446349-451 | ARM SHAFT (REAR) HOUSING MOUNTING BOLT | X | X | |
| 11 | 446465 | ARM TOP COVER SUPPORT STUD | X | X | |
| 12 | 353410 | ROTATING HOOK BUSHING | X | X | |
| 13 | 353559-451 | BED CUSHION | X | X | |
| 14 | 353624 | THROAT PLATE POSITION PIN | X | X | |
| 15 | 446358 | TENSION RELEASING LEVER HINGE PIN | X | X | |
| 16 | 446375 | THREAD TAKE-UP LEVER LINK HINGE STUD | X | X | |
| 17 | 353215 | THREAD TAKE-UP LEVER LINK RETAINING RING | X | X | |
| 18 | 353623 | THREAD TAKE-UP LEVER LINK HINGE STUD WITH RING | X | X | |
| 19 | 446346-451 | BED (BOTTOM) COVER & CABINET BOLT | X | X | |
| 20 | 446459-452 | ARM BED BOLT LOCK WASHER | X | X | |
| 21 | 446345-451 | ARM BED MOUNTING BOLT | X | X | |

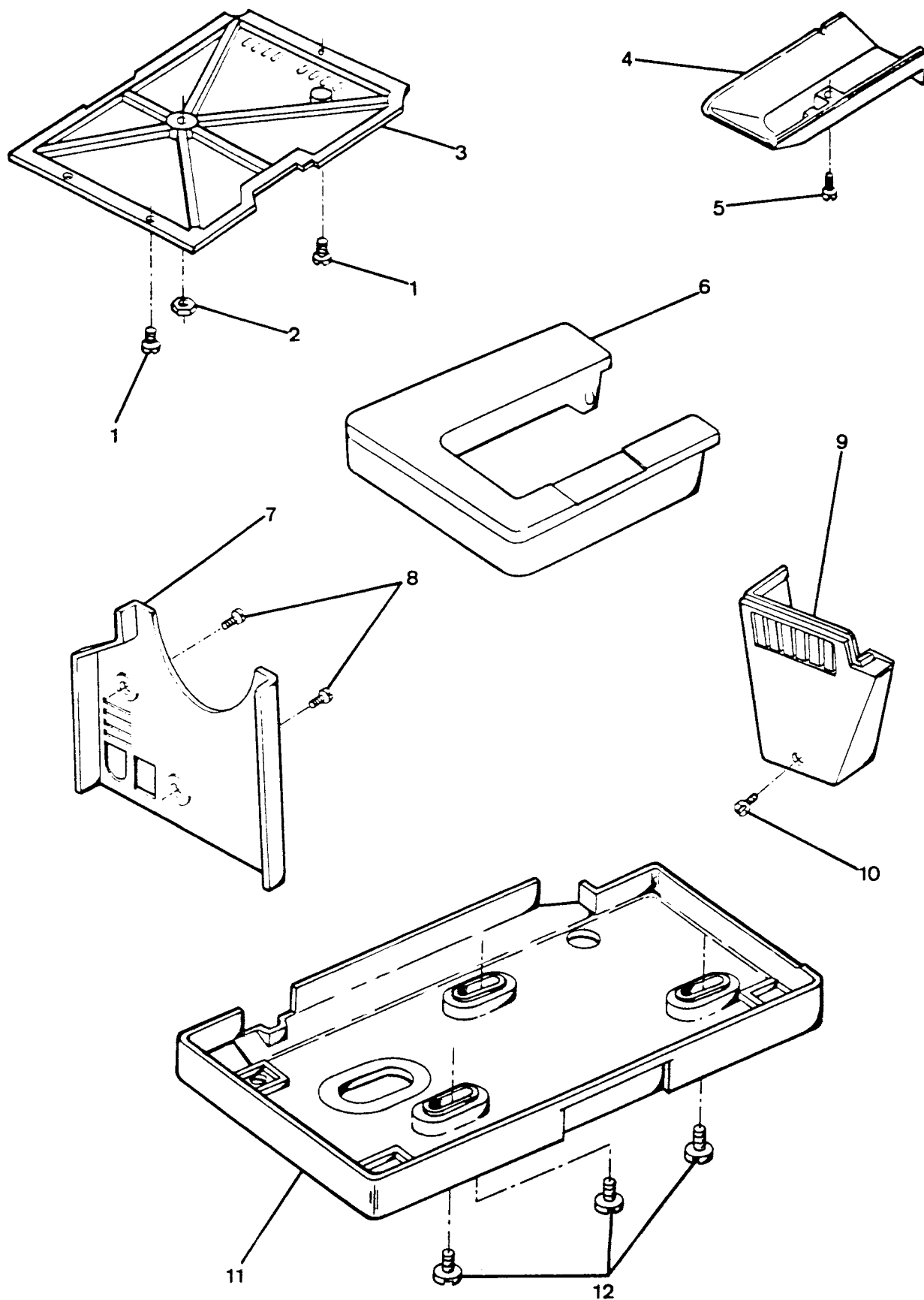


From the library of: Diamond Needle Corp

PART LIST
COVERS & ADD-ONS

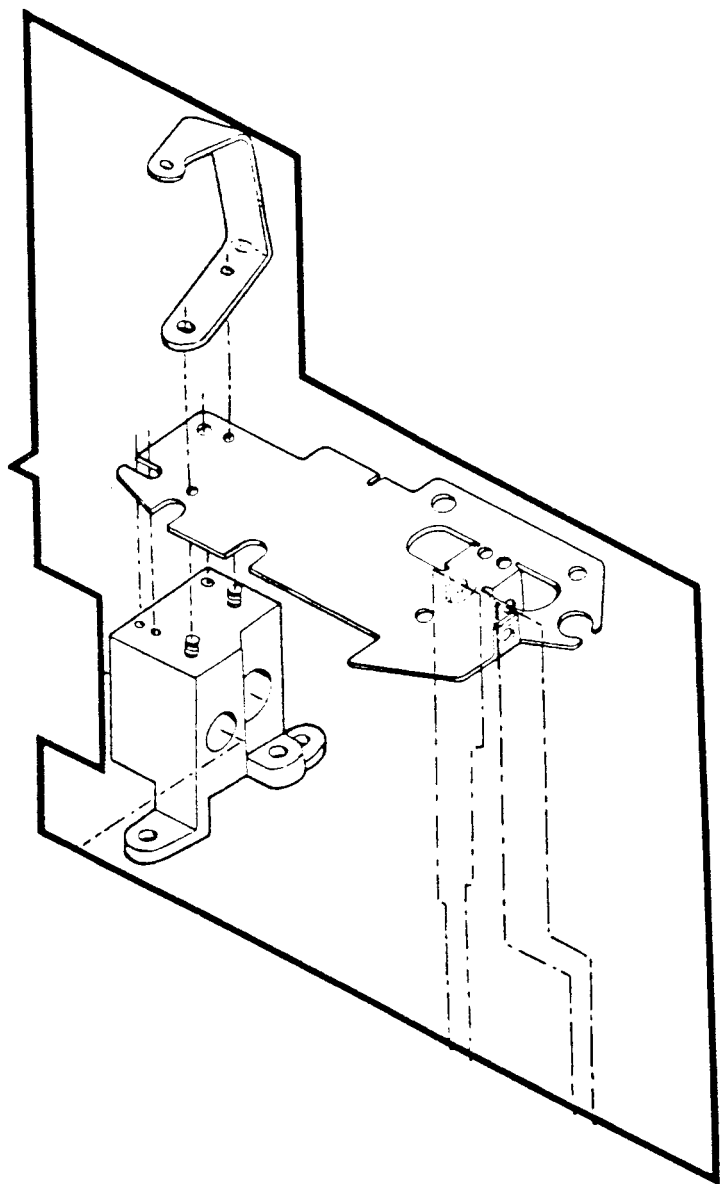
| REF. | PART NBR | DESCRIPTION | 6 6 4 | | |
|------|------------|---|-------|---|---|
| | | | 0 | 2 | 5 |
| | | | 2 | 2 | 3 |
| | | | 1 | 1 | 8 |
| 01 | 531947-461 | ARM TOP COVER COMPLETE (PETIT INTELLIGENT) | | X | |
| 01 | 531947-457 | ARM TOP COVER COMPLETE (WITHOUT LOGO) | X | X | |
| 01 | 531947-460 | ARM TOP COVER COMPLETE (MERRITT 6221) | | | X |
| 01 | 531947-458 | ARM TOP COVER COMPLETE | X | | |
| 01 | 356205-454 | ARM TOP COVER COMPLETE (MERRITT 4538) | | | X |
| 01 | 356205-455 | ARM TOP COVER COMPLETE (OPUS 8) | | | X |
| 01 | 356205-456 | ARM TOP COVER COMPLETE (WITHOUT LOGO) | | | X |
| 02 | 354895-453 | ARM TOP COVER SCREW | X | X | X |
| 03 | 354975-451 | ARM TOP COVER MOUN.SCREW (RIGHT, REAR & FRONT) | X | X | X |
| 04 | 141920-453 | BOBBIN WINDER STOP SCREW | X | X | X |
| 05 | 445924 | BOBBIN WINDER STOP | X | X | X |
| 06 | 53640-819 | BOBBIN WINDER STOP SCREW NUT | X | X | X |
| 07 | 356258 | BOBBIN WINDER TENSION COMPLETE | X | X | X |
| 08 | 356259 | BOBBIN WINDER TENSION SCREW | X | X | X |
| 09 | 444772 | BOBBIN WINDER TENSION PIN CAP | X | X | X |
| 10 | 444773 | BOBBIN WINDER TENSION SPRING | X | X | X |
| 11 | 445765 | BOBBIN WINDER TENSION WASHER | X | X | X |
| 12 | 54591-451 | BOBBIN WINDER TENSION SCREW NUT | X | X | X |
| 13 | 531880-904 | ARM TOP COVER TH.GUARD (SHROUDER) (FOR OPUS 8) | | | X |
| 13 | 531880-906 | ARM TOP COVER TH.GUARD (SHROUDER)(FOR USA/CAN) | | | X |
| 14 | 531948-457 | ARM TOP COVER ASSEMBLY (WITHOUT LOGO) | X | X | |
| 14 | 531948-452 | ARM TOP COVER ASSEMBLY | X | | |
| 14 | 531948-454 | ARM TOP COVER ASSEMBLY (MERRITT 6221) | | X | |
| 14 | 356206-451 | ARM TOP COVER ASSEMBLY (MERRITT 4538) | | | X |
| 14 | 356206-452 | ARM TOP COVER ASSEMBLY (OPUS 8) | | | X |
| 14 | 356206-453 | ARM TOP COVER ASSEMBLY (W/O LOGO) | | | X |
| 15 | 531767-001 | BOBBIN WINDER ASSEMBLY | X | X | X |
| 16 | 531768 | BOBBIN WINDER SPINDLE (SUB-ASSEMBLY) | X | X | X |
| 17 | 543531 | BOBBIN WINDER SPINDLE THRUST WASHER | X | X | X |
| 18 | 531770-451 | BOBBIN WINDER LEVER (PLASTIC) | X | X | X |
| 19 | 44440-001 | BOBBIN PULLEY | X | X | X |
| 20 | 15287-701 | BOBBIN WINDER FRICTION RING | X | X | X |
| 21 | 531766 | BOBBIN WINDER SPRING | X | X | X |
| 22 | 445486 | BOBBIN WINDER HINGE STUD RETAINING RING | X | X | X |
| 23 | 445444-900 | CONTROL PANEL THREAD GUIDE | X | X | X |
| 24 | 531760-451 | ARM TOP COVER HANDLE | X | X | X |
| 25 | 531761 | ARM TOP COVER HANDLE HINGE PIN | X | X | X |
| 26 | 445721 | ARM TOP COVER HANDLE HINGE PIN RETAINING RING | X | X | X |
| 27 | 113455-001 | ARM TOP COVER HANDLE MOUNTING BRACKET SCREW | X | X | X |
| 28 | 531762 | ARM TOP COVER HANDLE MOUNTING BRACKET SPRING | X | X | X |
| 29 | 531763 | ARM TOP COVER HANDLE MOUNTING BRACKET (RIGHT) | X | X | X |
| 30 | 531764 | ARM TOP COVER HANDLE MOUNTING BRACKET (LEFT) | X | X | X |
| 31 | 354826-451 | ARM TOP COVER MOUNTING BKT.(LEFT) SET SCREW | X | X | X |
| 32 | 531765 | ARM TOP COVER MOUNTING BRACKET (LEFT) | X | X | X |
| 33 | 356178 | ARM TOP COVER MOUNTING BRACKET (RIGHT) SET SCREW | X | X | X |
| 34 | 113455-001 | ARM TOP COVER MOUNTING BRACKET (RIGHT) | X | X | X |

From the library of: Diamond Needle Corp



PART LIST
COVERS & ADD-ONS (CONT.)

| REF. | PART NBR | DESCRIPTION | 6 | 6 | 4 |
|------|------------|--|---|---|---|
| | | | 0 | 2 | 5 |
| | | | 2 | 2 | 3 |
| | | | 1 | 1 | 8 |
| | | | | | |
| 01 | 113455-001 | BED (BOTTOM) COVER FASTENING SCREW | | X | X |
| 02 | 514608 | BED (BOTTOM) COVER NUT | | X | X |
| 03 | 353587-451 | BED (BOTTOM) COVER | | X | X |
| 04 | 446493-451 | BED (TUBULAR) BOTTOM COVER (PLASTIC) | | X | X |
| 05 | 354895-453 | BED (TUBULAR) BOTTOM COVER FASTENING SCREW | | X | X |
| 06 | 446455-451 | BED EXTENSION PLATE (EXCEPT MERRITT 6221) | | X | |
| 06 | 531882-451 | BED EXTENSION PLATE (MERRITT 6221) | | X | |
| 06 | 531882-451 | BED EXTENSION PLATE | | | X |
| 07 | | REFER TO CHARTS ON FOLLOWING PAGE | | | |
| 08 | 354637-453 | ARM END COVER SCREW | X | X | X |
| 09 | 446452-451 | FACE PLATE COMPLETE | X | X | X |
| 09 | 353433-451 | FACE PLATE COMPLETE WITH GRILLE (FOR EUROPE) | X | X | X |
| 10 | 354133-453 | FACE PLATE SCREW | X | X | X |
| 11 | 531671-452 | UNDER BED COVER (PLASTIC) | X | | |
| 12 | 354833-451 | UNDER BED COVER SCREW | X | | |

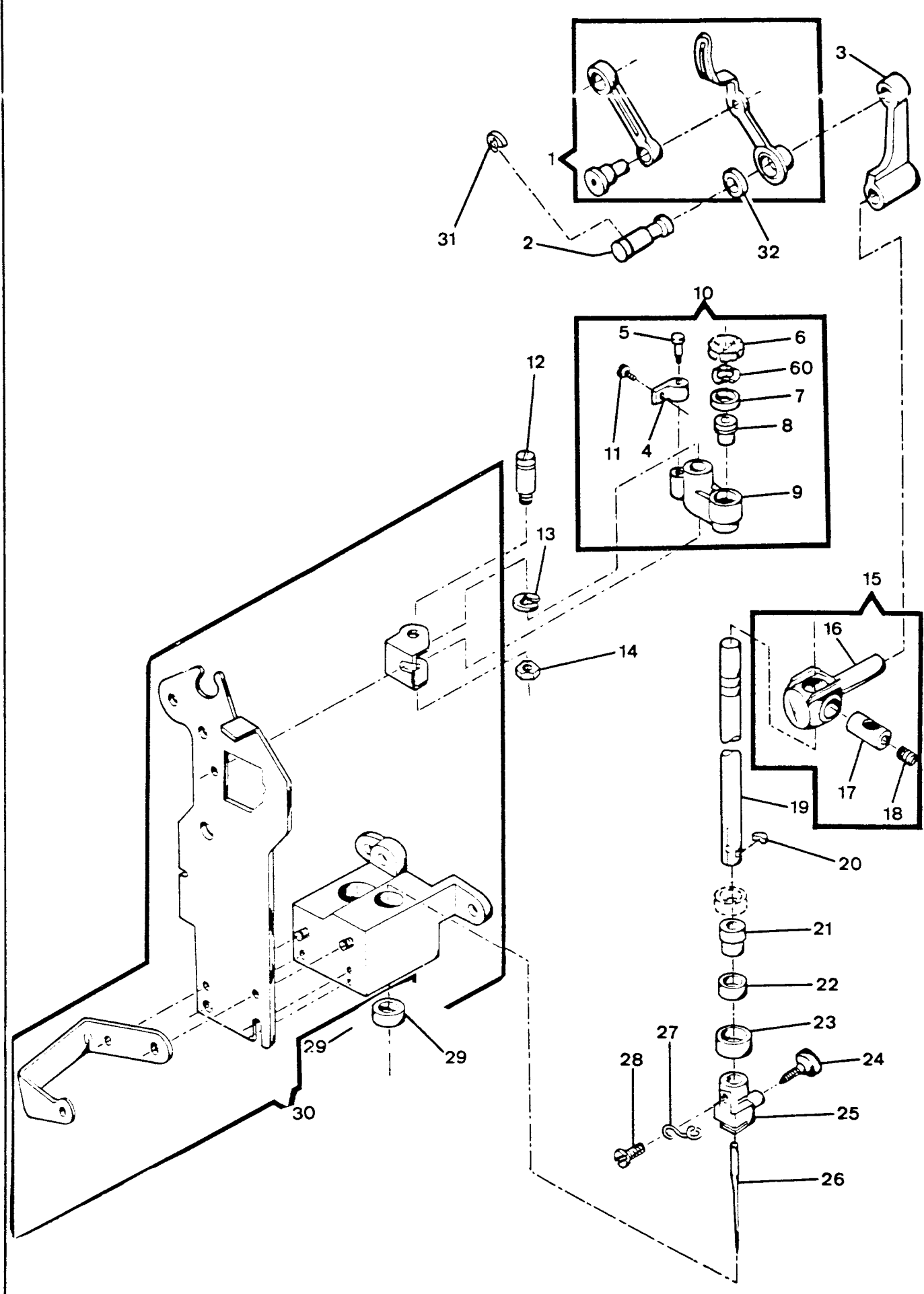


ARM END COVER

| PART NBR | INT. GROUP | INT. GROUP | EUR. | USA CAN. | AUSTR. | MIDDLE EAST | MIDDLE EAST | UK | NON. REG. EUR. | CYPRUS |
|------------|------------|------------|------|----------|--------|-------------|-------------|----|----------------|--------|
| 531681-033 | X | | | | | | | | | 6021 |
| 531681-034 | | X | | | | | | | | 6021 |
| 531681-035 | | | X | | | | | | | 6021 |
| 531681-037 | | | | X | | | | | | 6021 |
| 446450-076 | X | | | | | | | | | 6221 |
| 446450-077 | | X | | | | | | | | 6221 |
| 446450-078 | | | | | X | | | | | 6221 |
| 446450-087 | | | | | | X | | | | 6221 |
| 446450-088 | | | | | | | X | | | 6221 |
| 446450-092 | | | X | | | | | | | 6221 |
| 446450-093 | | | | X | | | | | | 6221 |
| 531894-041 | | | X | | | | | | | 4538 |
| 531894-042 | | | | | | | | X | | 4538 |
| 531894-043 | | | | X | | | | | | 4538 |
| 531894-044 | | | | | X | | | | | 4538 |
| 531894-045 | | | | | | | | | X | 4538 |
| 531894-046 | X | | | | | | | | | 4538 |
| 531894-047 | | X | | | | | | | | 4538 |
| 531894-048 | | | | | | | | | | X 4538 |

From the library of: Diamond Needle Corp

NEEDLE BAR, PRESSER BAR & TAKE-UP



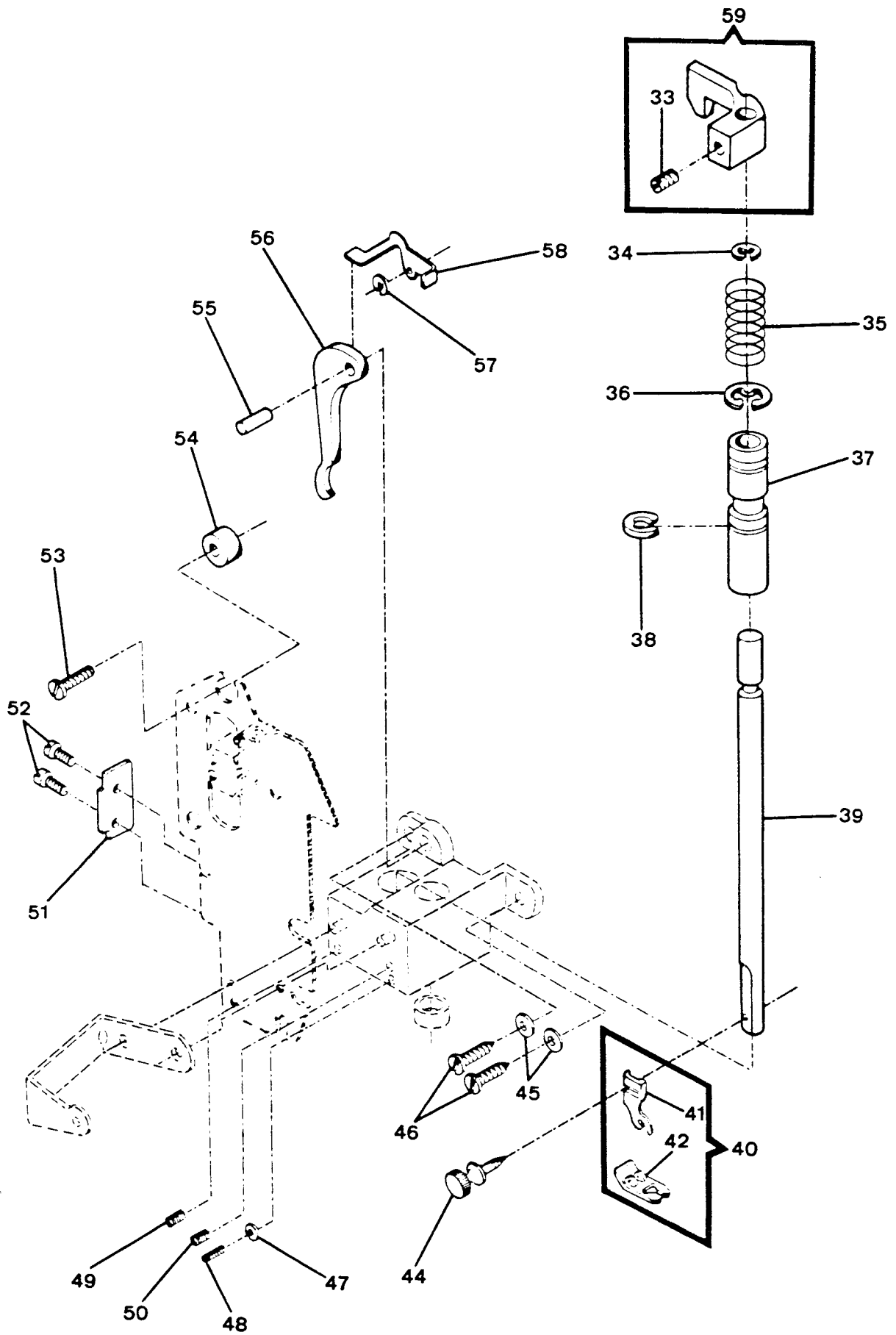
From the library of: Diamond Needle Corp

PART LIST
NEEDLE BAR, PRESSER BAR & TAKE-UP

| REF. | PART NBR | DESCRIPTION | 6 | 6 | 4 |
|------|------------|---|---|---|---|
| | | | 0 | 2 | 5 |
| | | | 2 | 2 | 3 |
| | | | 1 | 1 | 6 |
| 01 | 445672 | THREAD TAKE-UP LEVER | X | X | X |
| 02 | 446260 | THREAD TAKE-UP STUD | X | X | X |
| 03 | 446357 | NEEDLE BAR CONNECTING LINK | X | X | X |
| 04 | 446190 | NEEDLE BAR DRIVING ARM HINGE BRACKET | X | X | X |
| 05 | 37935 | NEEDLE BAR DRIVING ARM HINGE BRACKET HINGE PIN | X | X | X |
| 06 | 353522 | NEEDLE BAR BALL BUSHING (UPPER) RETAINING RING | X | X | X |
| 07 | 507379 | NEEDLE BAR BALL BUSHING (UPPER) SOCKET | X | X | X |
| 08 | 446355-001 | NEEDLE BAR BALL BUSHING (UPPER) | X | X | X |
| 09 | 353521 | NEEDLE BAR VIBRATING BRACKET | X | X | X |
| 10 | 353520 | NEEDLE BAR VIBRATING BRACKET COMPLETE | X | X | X |
| 11 | 141844-819 | NEEDLE BAR DRIVING ARM HINGE BRACKET SCREW | X | X | X |
| 12 | 446359 | NEEDLE BAR VIBRATING BRACKET HINGE PIN | X | X | X |
| 13 | 445721 | NEEDLE BAR VIBRATING BRACKET HINGE PIN RETAINING RING | X | X | X |
| 14 | 353402-451 | NEEDLE BAR VIBRATING BRACKET HINGE PIN NUT | X | X | X |
| 15 | 353549-940 | NEEDLE BAR CONNECTING STUD WITH HINGE PIN | X | X | X |
| 16 | 353549 | NEEDLE BAR CONNECTING STUD | X | X | X |
| 17 | 37931 | NEEDLE BAR CONNECTING STUD HINGE PIN | X | X | X |
| 18 | 141916-833 | NEEDLE BAR CLAMP SCREW | X | X | X |
| 19 | 445793 | NEEDLE BAR | X | X | X |
| 20 | 37943 | NEEDLE BAR GIB | X | X | X |
| 21 | 446355-001 | NEEDLE BAR BALL BUSHING (LOWER) | X | X | X |
| 22 | 507379 | NEEDLE BAR BALL BUSHING (LOWER) SOCKET | X | X | X |
| 23 | 446361 | NEEDLE BAR BALL BUSHING (LOWER) ADJUSTING COLLAR | X | X | X |
| 24 | 113413-451 | NEEDLE THUMB SCREW | X | X | X |
| 25 | 353630 | NEEDLE CLAMP BODY | X | X | X |
| 26 | 204514-100 | NEEDLE 2045 SIZE NBR 14 | X | X | X |
| 27 | 353629 | NEEDLE CLAMP THREAD GUIDE | X | X | X |
| 28 | 141808-451 | NEEDLE CLAMP BODY, NEEDLE CLAMP THREAD GUIDE & NEEDLE STOP SCREW | X | X | X |
| 29 | 44450 | NEEDLE BAR BALL BUSHING (LOWER) SOCKET (UPPER) | X | X | X |
| 30 | 356599 | NEEDLE BAR, PRESSER BAR & VIBRATING BRACKET HOUSING ASSEMBLY | X | X | X |
| 31 | 445486 | THREAD TAKE-UP STUD RETAINING RING | X | X | X |
| 32 | 543531 | THREAD TAKE-UP STUD THRUST WASHER | X | X | X |

From the library of: Diamond Needle Corp

NEEDLE BAR, PRESSER BAR & TAKE-UP (CONT.)



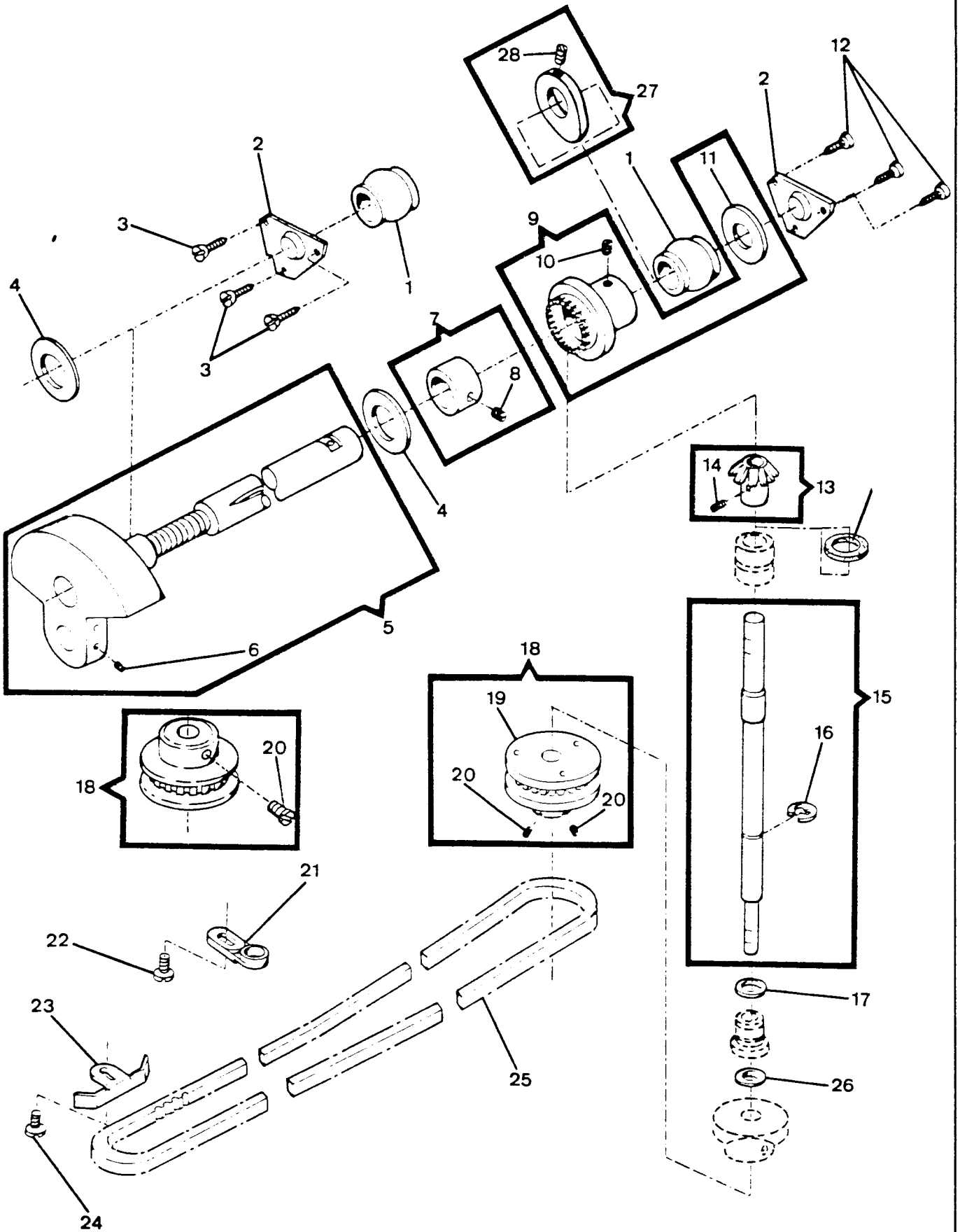
From the library of: Diamond Needle Corp

PART LIST
NEEDLE BAR, PRESSER BAR & TAKE-UP (CONT.)

| REF. | PART NBR | DESCRIPTION | 6 | 6 | 4 |
|------|------------|---|---|---|---|
| | | | 0 | 2 | 5 |
| | | | 2 | 2 | 3 |
| | | | 1 | 1 | 8 |
| 33 | 141925-833 | PRESSER BAR GUIDE BRACKET SET SCREW | X | X | X |
| 34 | 353215 | ARM SHAFT (UPRIGHT) RETAINING RING | X | X | X |
| 35 | 353214 | PRESSER BAR SPRING | X | X | X |
| 36 | 353252 | PRESSER BAR BUSHING LOCATING RING | X | X | X |
| 37 | 445947-001 | PRESSER BAR BUSHING | X | X | X |
| 38 | 353252 | PRESSER BAR BUSHING LOCATING RING | X | X | X |
| 39 | 314638 | PRESSER BAR | X | X | X |
| 40 | 446372 | PRESSER FOOT (SNAP-ON) COMPLETE FOR ZIG-ZAG SEWING | X | X | X |
| 41 | 155964 | PRESSER FOOT SHANK (SNAP-ON) | X | X | X |
| 42 | 446371 | PRESSER FOOT PLATE (SNAP-ON) FOR ZIG-ZAG SEWING | X | X | X |
| 44 | 354135-452 | PRESSER FOOT THUMB SCREW | X | X | X |
| 45 | 353375-451 | NEEDLE BAR, PRESSER BAR & VIBRATING BRACKET HOUSING MOUNTING SCREW (LOWER) WASHER | X | X | X |
| 46 | 113434-451 | NEEDLE BAR, PRESSER BAR & VIBRATING BRACKET HOUSING MOUNTING SCREW (LOWER) | X | X | X |
| 47 | 54591-451 | NEEDLE BAR OVER THROW SET SCREW NUT | X | X | X |
| 48 | 354993-451 | NEEDLE BAR OVER THROW SET SCREW | X | X | X |
| 49 | 354906-451 | NEEDLE BAR BALL BUSHING (LOWER) ADJUSTING COLLAR SET SCREW | X | X | X |
| 50 | 141803-830 | PRESSER BAR BUSHING SET SCREW | X | X | X |
| 51 | 446353 | PRESSER BAR GUIDE BRACKET POSITIONER | X | X | X |
| 52 | 141913-451 | PRESSER BAR GUIDE BRACKET POSITIONER SCREW | X | X | X |
| 53 | 113455-004 | NEEDLE BAR & PRESSER BAR VIBRATING BRACKET HOUSING MOUNTING SCREW (UPPER) | X | X | X |
| 54 | 531627 | NEEDLE BAR, PRESSER BAR & VIBRATING BRACKET HOUSING MOUNTING BUSHING | X | X | X |
| 55 | 446354-451 | PRESSER BAR LIFTER HINGE PIN | X | X | X |
| 56 | 446356 | PRESSER BAR LIFTER | X | X | X |
| 57 | 445486 | TENSION RELEASING LEVER RETAINING RING | X | X | X |
| 58 | 445925 | TENSION RELEASING LEVER | X | X | X |
| 59 | 353212 | PRESSER BAR GUIDE BRACKET ASSEMBLY | X | X | X |
| 60 | 353424 | NEEDLE BAR BALL BUSHING (UPPER) FRICTION WASHER | X | X | X |

From the library of: Diamond Needle Corp

ARM SHAFT DRIVE

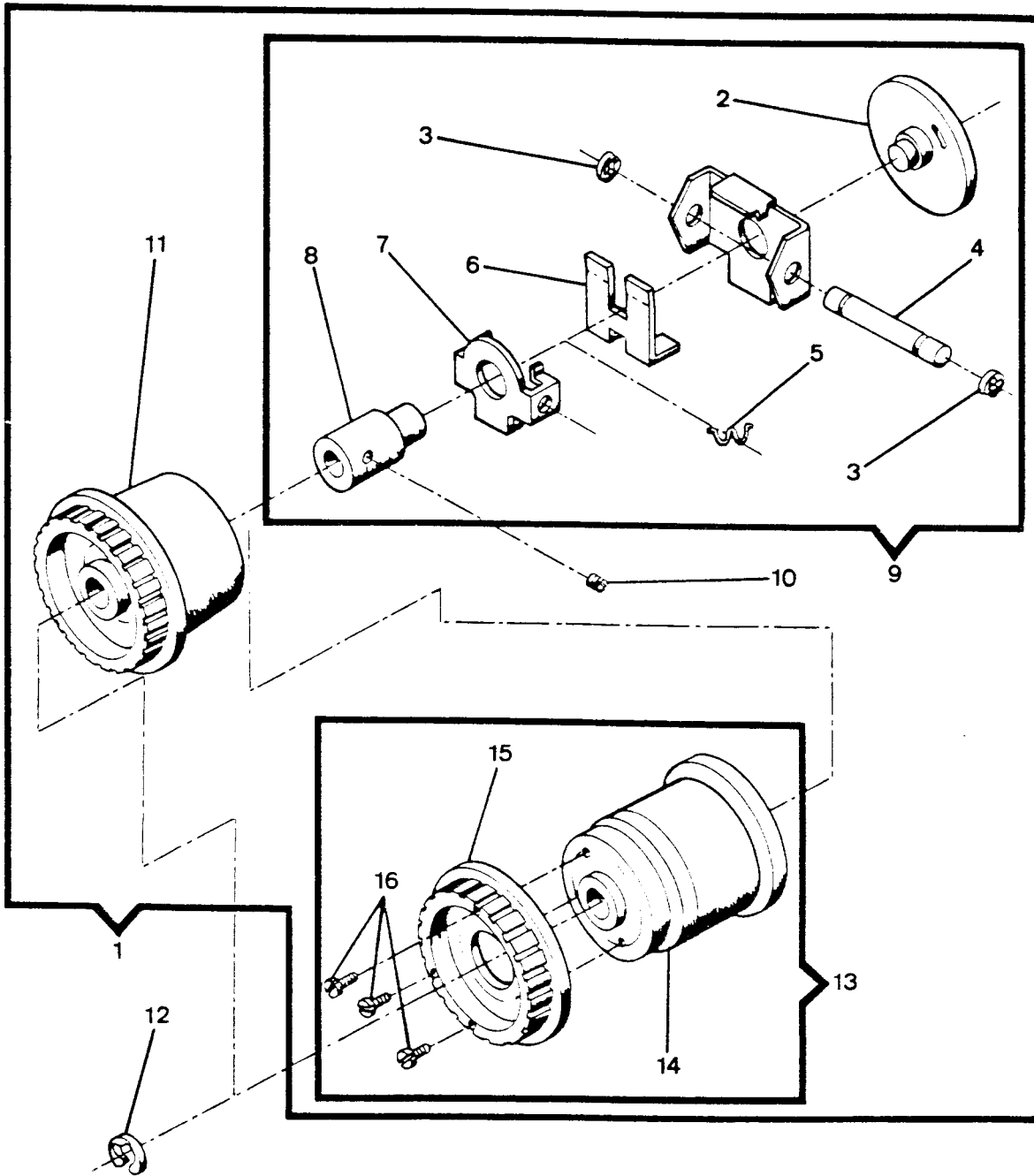


From the library of: Diamond Needle Corp

PART LIST
ARM SHAFT DRIVE

| REF. | PART NBR | DESCRIPTION | 6 | 6 | 4 |
|------|------------|--|---|---|---|
| | | | 0 | 2 | 5 |
| | | | 2 | 2 | 3 |
| | | | 1 | 1 | 8 |
| 01 | 446384 | ARM SHAFT BUSHING (FRONT) | X | X | X |
| 02 | 446385 | ARM SHAFT BUSHING (FRONT) RETAINING BRACKET | X | X | X |
| 03 | 113455-001 | ARM SHAFT BUSHING (FRONT) RET.BRACKET SCREW | X | X | X |
| 04 | 319764 | ARM SHAFT (HORIZONTAL) RETAINING COLLAR WASHER | X | X | X |
| 05 | 531684 | ARM SHAFT COMPLETE | | X | X |
| 05 | 531942 | ARM SHAFT COMPLETE | X | | |
| 06 | 354105-833 | NEEDLE BAR (UPRIGHT) BEVEL GEAR SET SCREW | X | X | X |
| 07 | 353580 | ARM SHAFT (HORIZONTAL) RETAINING COLLAR ASSEMBLY | X | X | X |
| 08 | 113500-451 | ARM SHAFT (HORIZONTAL) RET.COLLAR SET SCREW | X | X | X |
| 09 | 353272 | ARM SHAFT (HORIZONTAL) BEVEL GEAR & FEED LIFTING ECCENTRIC COMPLETE | | X | X |
| 09 | 319695 | ARM SHAFT (HORIZONTAL) BEVEL GEAR & FEED LIFTING ECCENTRIC COMPLETE | X | | |
| 10 | 354813-451 | ARM SHAFT (HORIZONTAL) BEVEL GEAR & FEED LIFTING ECCENTRIC SET SCREW | X | X | X |
| 11 | 353413 | ARM SHAFT (HORIZONTAL) BEVEL GEAR & FEED ECCENTRIC WASHER (PLASTIC) | | X | X |
| 11 | 37284-001 | ARM SHAFT (HORIZONTAL) BEVEL GEAR & FEED ECCENTRIC WASHER (PLASTIC) | X | | |
| 12 | 113455-001 | ARM SHAFT BUSHING (REAR) RET.BRACKET SCREW | X | X | X |
| 13 | 353273 | ARM SHAFT (UPRIGHT) BEVEL GEAR (PLASTIC) COMPLETE | | X | X |
| 13 | 531658 | ARM SHAFT (UPRIGHT) BEVEL GEAR (PLASTIC) COMPLETE | X | | |
| 14 | 354105-833 | NEEDLE BAR CRANK POSITION SET SCREW | X | X | X |
| 15 | 179952 | ARM SHAFT (UPRIGHT) ASSEMBLY | | X | X |
| 15 | 531659 | ARM SHAFT (UPRIGHT) ASSEMBLY | X | | |
| 16 | 353215 | ARM SHAFT (UPRIGHT) RETAINING RING | X | X | X |
| 17 | 353394 | ARM SHAFT (UPRIGHT) RETAINING RING WASHER | X | X | X |
| 18 | 353438-001 | ARM SHAFT (UPRIGHT) BELT DRIVE PULLEY ASSEMBLY COMPLETE | | X | X |
| 18 | 445543 | ARM SHAFT (UPRIGHT) BELT DRIVE PULLEY ASSEMBLY COMPLETE | X | | |
| 19 | 446230 | ARM SHAFT (UPRIGHT) BELT DRIVE PULLEY | | X | X |
| 20 | 113518-451 | ARM SHAFT (UPRIGHT) BELT DRIVE PULLEY RETAINING COLLAR SET SCREW | | X | X |
| 20 | 354906-451 | ARM SHAFT (UPRIGHT) BELT DRIVE PULLEY RETAINING COLLAR SET SCREW | X | | |
| 21 | 531630 | ROTATING HOOK DRIVE BELT TENSION ADJUSTER | X | X | X |
| 22 | 113453-003 | ROTATING HOOK DRIVE BELT TENSION SCREW | | X | X |
| 22 | 354316-451 | ROTATING HOOK DRIVE BELT TENSION SCREW | X | | |
| 23 | 446376 | BELT RETAINER (LEFT) | | X | X |
| 24 | 113455-001 | BELT RETAINER (LEFT) SCREW | | X | X |
| 25 | 446237 | BELT (ROTATING HOOK DRIVE) | | X | X |
| 25 | 37977 | BELT (ROTATING HOOK DRIVE) | X | | |
| 26 | 319826 | ARM SHAFT (UPRIGHT) BELT DRIVE PULLEY WASHER | | X | X |
| 27 | 179993 | FEED CAM COMPLETE | X | | |
| 28 | 354813-451 | FEED CAM SET SCREW | X | | |
| 29 | 356819 | ARM SHAFT (UPRIGHT) FELT WASHER | X | | |

HAND WHEEL



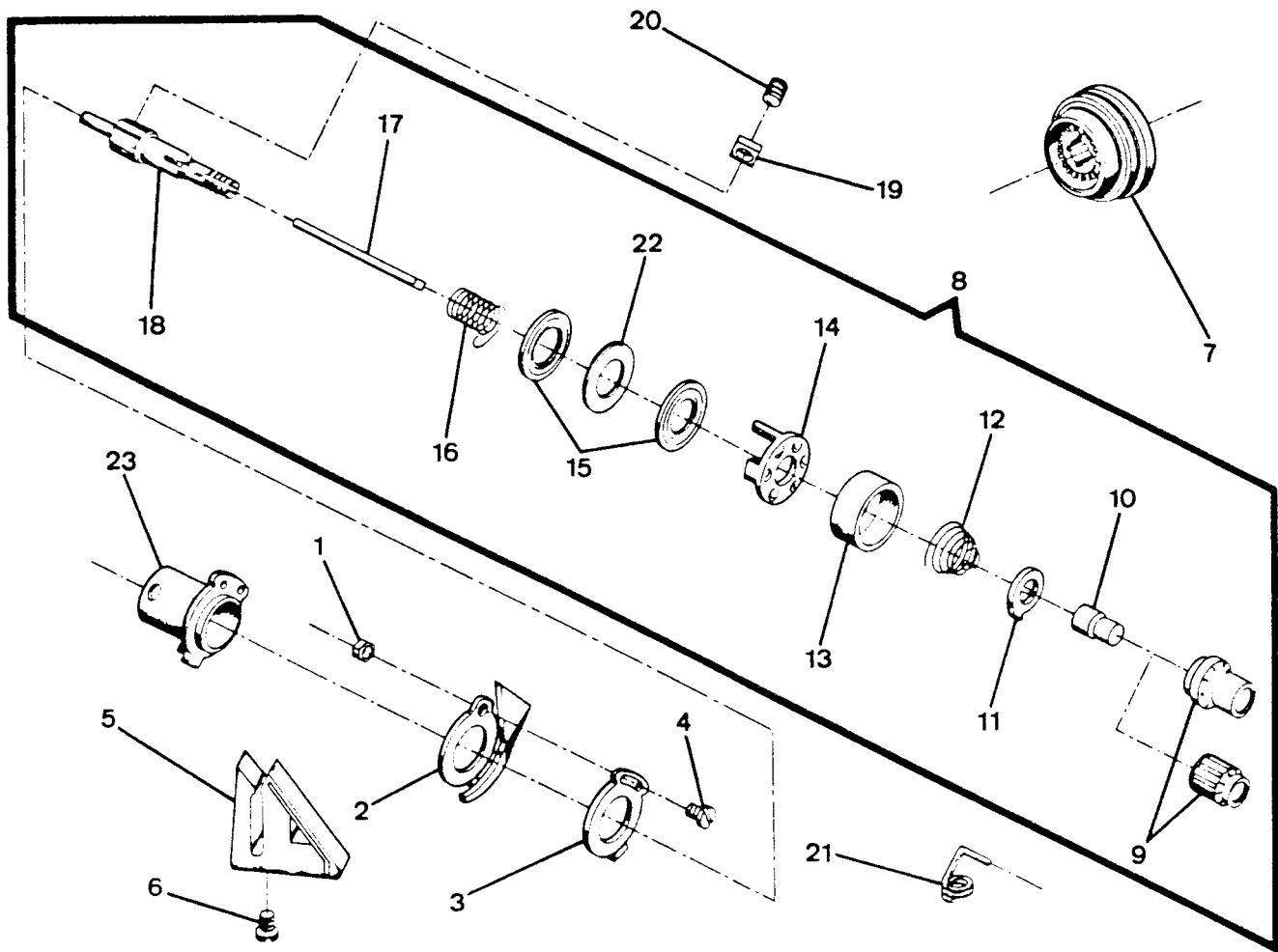
From the library of: Diamond Needle Corp

PART LIST
HAND WHEEL

6 6 4
0 2 5
2 2 3
1 1 8

| REF. | PART NBR | DESCRIPTION | | | |
|------|------------|--|---|---|---|
| 01 | 446391-451 | HAND WHEEL (PLASTIC) COMPLETE | X | X | X |
| 01 | 446460-451 | HAND WHEEL (CAST IRON) COMPLETE (ALTERNATE) FOR TREADLE/ELECTRIC | X | X | X |
| 02 | 446297 | HAND WHEEL DISENGAGING CLUTCH ENGAGING PLATE COVER | X | X | X |
| 03 | 445721 | HAND WHEEL DISENGAGING CLUTCH ENGAGING PLATE HINGE PIN RETAINING RING | X | X | X |
| 04 | 319560 | HAND WHEEL DISENGAGING CLUTCH ENGAGING PLATE HINGE PIN | X | X | X |
| 05 | 531628 | HAND WHEEL DISENGAGING CLUTCH ACTUATING SPRING | X | X | X |
| 06 | 319567 | HAND WHEEL DISENGAGING CLUTCH BUSHING PLATE RETAINING | X | X | X |
| 07 | 319566 | HAND WHEEL DISENGAGING CLUTCH BUSHING PLATE | X | X | X |
| 08 | 446390 | HAND WHEEL DISENGAGING CLUTCH BUSHING | X | X | X |
| 09 | 446343 | HAND WHEEL DISENGAGING CLUTCH BUSHING COMPLETE | X | X | X |
| 10 | 354813-451 | HAND WHEEL DISENGAGING CLUTCH BUSHING SCREW | X | X | X |
| 11 | 446386-451 | HAND WHEEL (PLASTIC) (ELECTRIC) | X | X | X |
| 12 | 446387 | HAND WHEEL DISENGAGING CLUTCH BUSHING RETAINING RING | X | X | X |
| 13 | 179894-451 | HAND WHEEL (CAST IRON) ASSEMBLY (TREADLE/ ELECTRIC) | X | X | X |
| 14 | 179896-451 | HAND WHEEL (CAST IRON) DISENGAGING CLUTCH ASSEMBLY | X | X | X |
| 15 | 179895 | HAND WHEEL (TREADLE/ELECTRIC) SPROCKET (PLASTIC) | X | X | X |
| 16 | 354656-451 | HAND WHEEL (THEADLE/ELECTRIC) SPROCKET SCREW | X | X | X |

TENSION ASSEMBLY



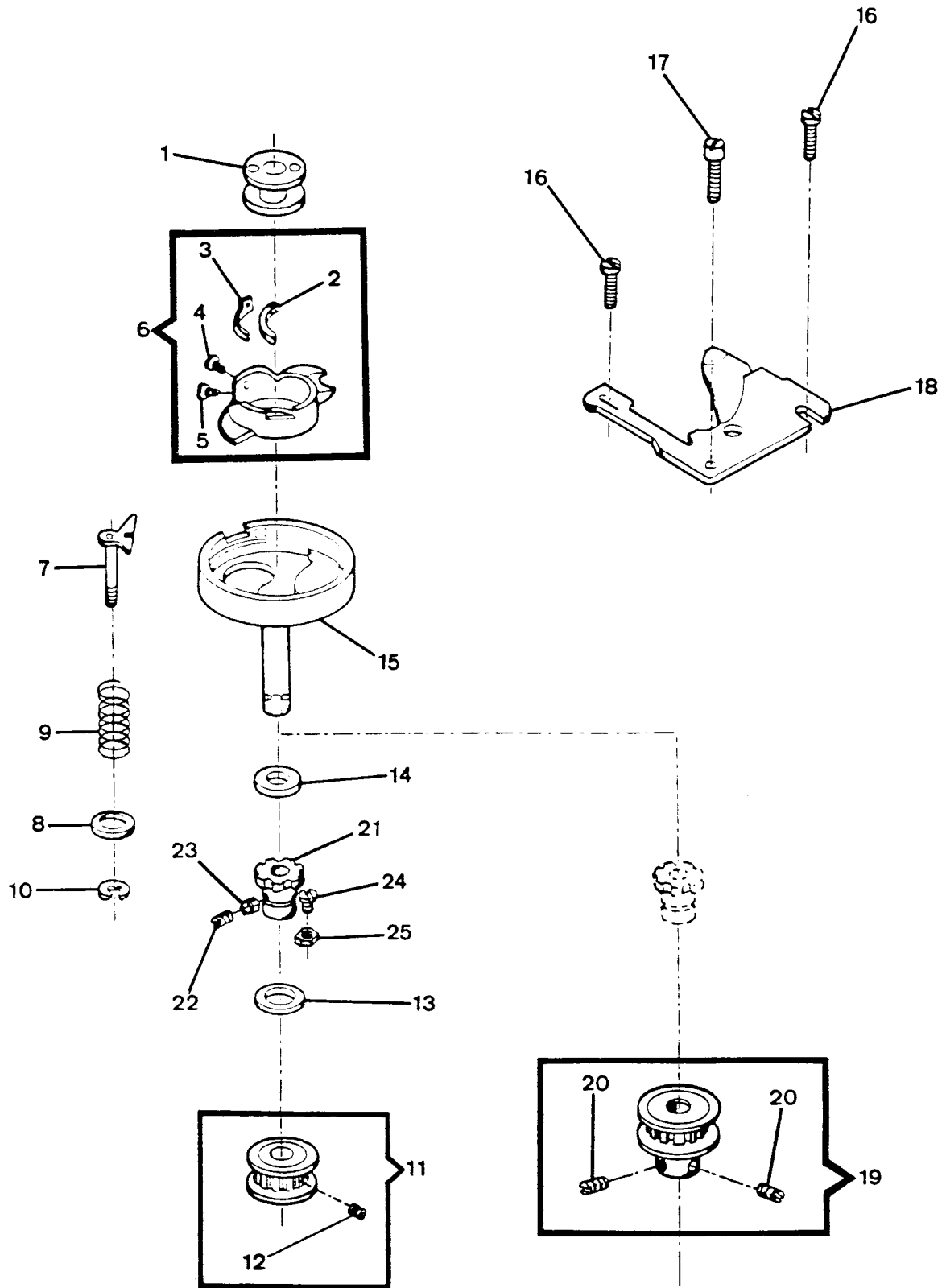
From the library of: Diamond Needle Corp

PART LIST
TENSION ASSEMBLY

| REF. | PART NBR | DESCRIPTION | 6 | 6 | 4 |
|------|------------|--|---|---|---|
| | | | 0 | 2 | 5 |
| | | | 2 | 2 | 3 |
| | | | 1 | 1 | 8 |
| 01 | 514698-451 | SLACK THREAD REGULATOR & TENSION THREAD GUIDE SCREW NUT | X | X | X |
| 02 | 531888-900 | THREAD GUIDE (UPPER) | | | X |
| 02 | 446440 | THREAD GUIDE (UPPER) | X | X | |
| 03 | 531887 | SLACK THREAD REGULATOR & TENSION THREAD GUIDE | | | X |
| 03 | 179936-451 | SLACK THREAD REGULATOR & TENSION THREAD GUIDE | X | X | |
| 04 | 141808-451 | SLACK THREAD REGULATOR & TENSION THREAD GUIDE SCREW | X | X | |
| 04 | 355236-451 | SLACK THREAD REGULATOR & TENSION THREAD GUIDE SCREW | | | X |
| 05 | 313563-451 | ARM TOP COVER THREAD GUIDE | X | X | X |
| 06 | 354810-451 | ARM TOP COVER THREAD GUIDE SCREW | X | X | X |
| 07 | 179967-451 | ARM TOP COVER SPOOL PIN THREAD LEAD-OFF | X | X | X |
| 08 | 531883-451 | TENSION MOUNTING BRACKET COMPLETE | | | X |
| 08 | 353583-451 | TENSION MOUNTING BRACKET COMPLETE | X | X | |
| 09 | 531885-451 | TENSION INDICATOR DIAL | | | X |
| 09 | 445054-030 | TENSION INDICATOR DIAL | X | X | |
| 10 | 446126 | TENSION INDICATOR ADAPTER | X | X | X |
| 11 | 37984 | TENSION INDICATOR STOP WASHER | X | X | X |
| 12 | 125314 | TENSION SPRING | X | X | X |
| 13 | 531886-451 | TENSION SPRING CAP | | | X |
| 13 | 44879-478 | TENSION SPRING CAP | X | X | |
| 14 | 45343 | THREAD TAKE-UP SPRING THREAD GUARD | X | X | |
| 14 | 531884 | THREAD TAKE-UP SPRING THREAD GUARD | | | X |
| 15 | 2102-001 | TENSION DISC | X | X | X |
| 16 | 66774-002 | THREAD TAKE-UP SPRING | X | X | X |
| 17 | 353578 | TENSION RELEASING PIN | X | X | X |
| 18 | 44454 | TENSION STUD | X | X | X |
| 19 | 353367-451 | TENSION STUD SET SCREW | X | X | X |
| 20 | 141803-830 | TENSION SCREW | X | X | X |
| 21 | 445784 | TENSION GUIDE (LOWER) | X | X | X |
| 22 | 44633 | TENSION DISC (MIDDLE) | X | X | X |
| 23 | 356226-452 | BEEHIVE TENSION ADAPTOR | X | X | X |

From the library of: Diamond Needle Corp

HOOK SYSTEM



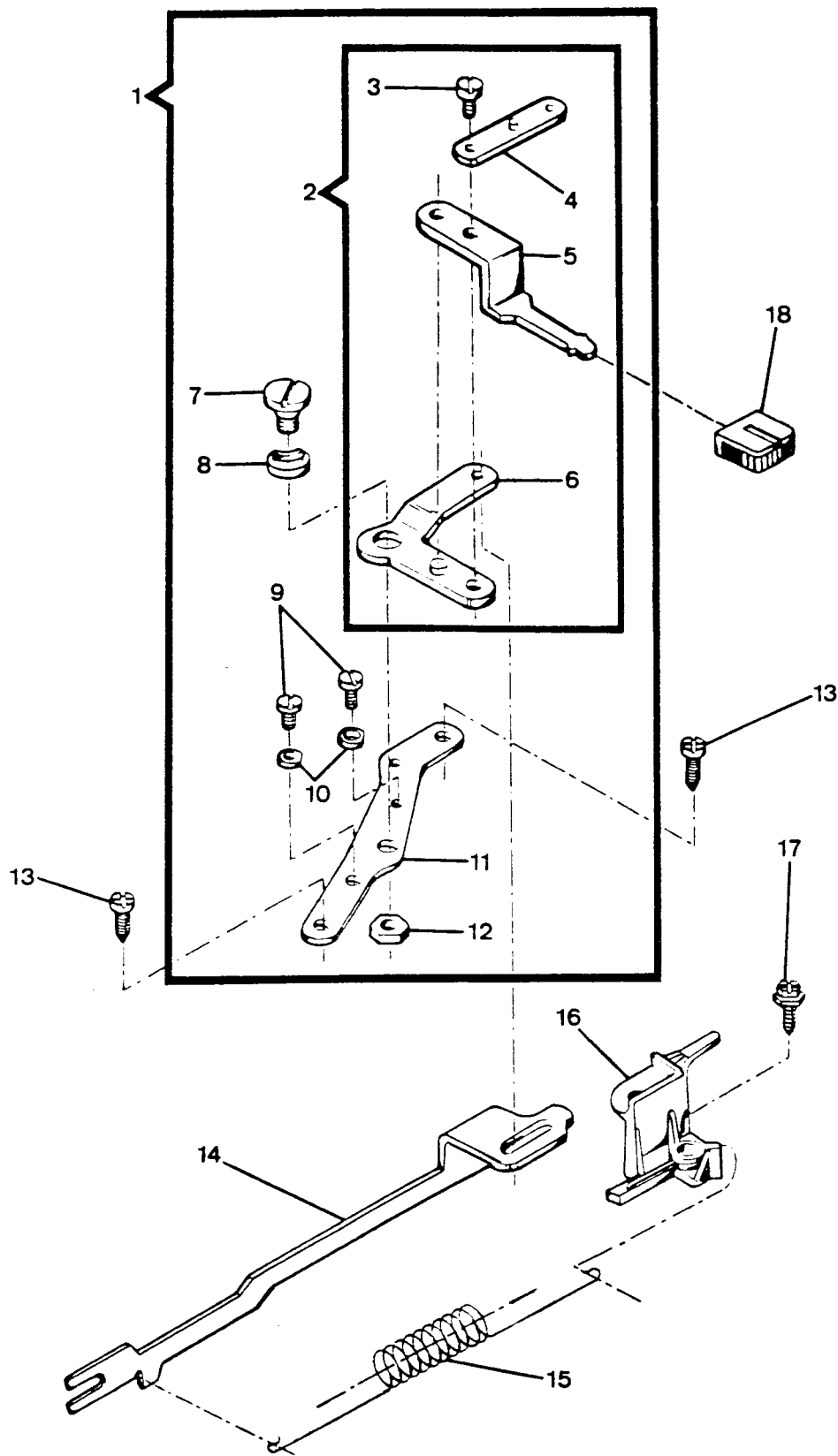
From the library of: Diamond Needle Corp

PART LIST
HOOK SYSTEM

| REF. | PART NBR | DESCRIPTION | 6 | 6 | 4 |
|------|------------|---|---|---|---|
| | | | 0 | 2 | 5 |
| | | | 2 | 2 | 3 |
| | | | 1 | 1 | 8 |
| 01 | 172336 | ROTATING HOOK BOBBIN (PLASTIC) | X | X | X |
| 02 | 310884-451 | ROTATING HOOK BOBBIN CASE TENSION SPRING SEGMENT | X | X | X |
| 03 | 314715 | ROTATING HOOK BOBBIN CASE TENSION SPRING | X | X | X |
| 04 | 354183-452 | ROTATING HOOK BOBBIN CASE TENSION REGULATING SCREW | X | X | X |
| 05 | 139975-452 | ROTATING HOOK BOBBIN CASE TENSION SPRING SEGMENT SCREW | X | X | X |
| 06 | 421325 | ROTATING HOOK BOBBIN CASE | X | X | X |
| 07 | 353511 | ROTATING HOOK BOBBIN CASE RETAINING PLATE | X | X | X |
| 08 | 445808 | ROTATING HOOK BOBBIN CASE RETAINING PLATE STUD WASHER | X | X | X |
| 09 | 44892 | ROTATING HOOK BOBBIN CASE RETAINING PLATE STUD SPRING | X | X | X |
| 10 | 353509 | ROTATING HOOK BOBBIN CASE RETAINING PLATE RETAINING RING | X | X | X |
| 11 | 446235 | ROTATING HOOK BELT DRIVE PULLEY | | X | X |
| 12 | 141803-830 | ROTATING HOOK BELT DRIVE PULLEY SCREW | | X | X |
| 13 | 382861-906 | ROTATING HOOK BELT DRIVE PULLEY WASHER | | X | X |
| 14 | 353453 | ROTATING HOOK WEAR WASHER | | X | X |
| 15 | 353366 | ROTATING HOOK COMPLETE | | X | X |
| 15 | 531682 | ROTATING HOOK COMPLETE | X | | |
| 16 | 113430-451 | ROTATING HOOK BOBBIN CASE POSITION PLATE SCREW | | X | X |
| 16 | 354917-451 | ROTATING HOOK BOBBIN CASE POSITION PLATE SCREW | X | | |
| 17 | 113430-451 | ROTATING HOOK BOBBIN CASE RETAINING PLATE SCREW | | X | X |
| 17 | 354917-451 | ROTATING HOOK BOBBIN CASE RETAINING PLATE SCREW | X | | |
| 18 | 44873-001 | ROTATING HOOK BOBBIN CASE POSITION PLATE | X | X | X |
| 19 | 445559 | ROTATING HOOK BELT DRIVE PULLEY COMPLETE | X | | |
| 20 | 354906-451 | ROTATING HOOK BELT DRIVE PULLEY FLANGE SET SCREW | X | | |
| 21 | 353410-900 | ROTATING HOOK BUSHING | X | X | X |
| 22 | 141938-833 | ROTATING HOOK BUSHING SET SCREW | X | X | X |
| 23 | 353367-451 | ROTATING HOOK BUSHING SET SCREW NUT | X | X | X |
| 24 | 544117 | ROTATING HOOK BUSHING ADJUSTING SCREW | X | X | X |
| 25 | 618638-004 | ROTATING HOOK BUSHING ADJUSTING SCREW NUT | X | X | X |

From the library of: Diamond Needle Corp

EIGHT AMPLITUDE



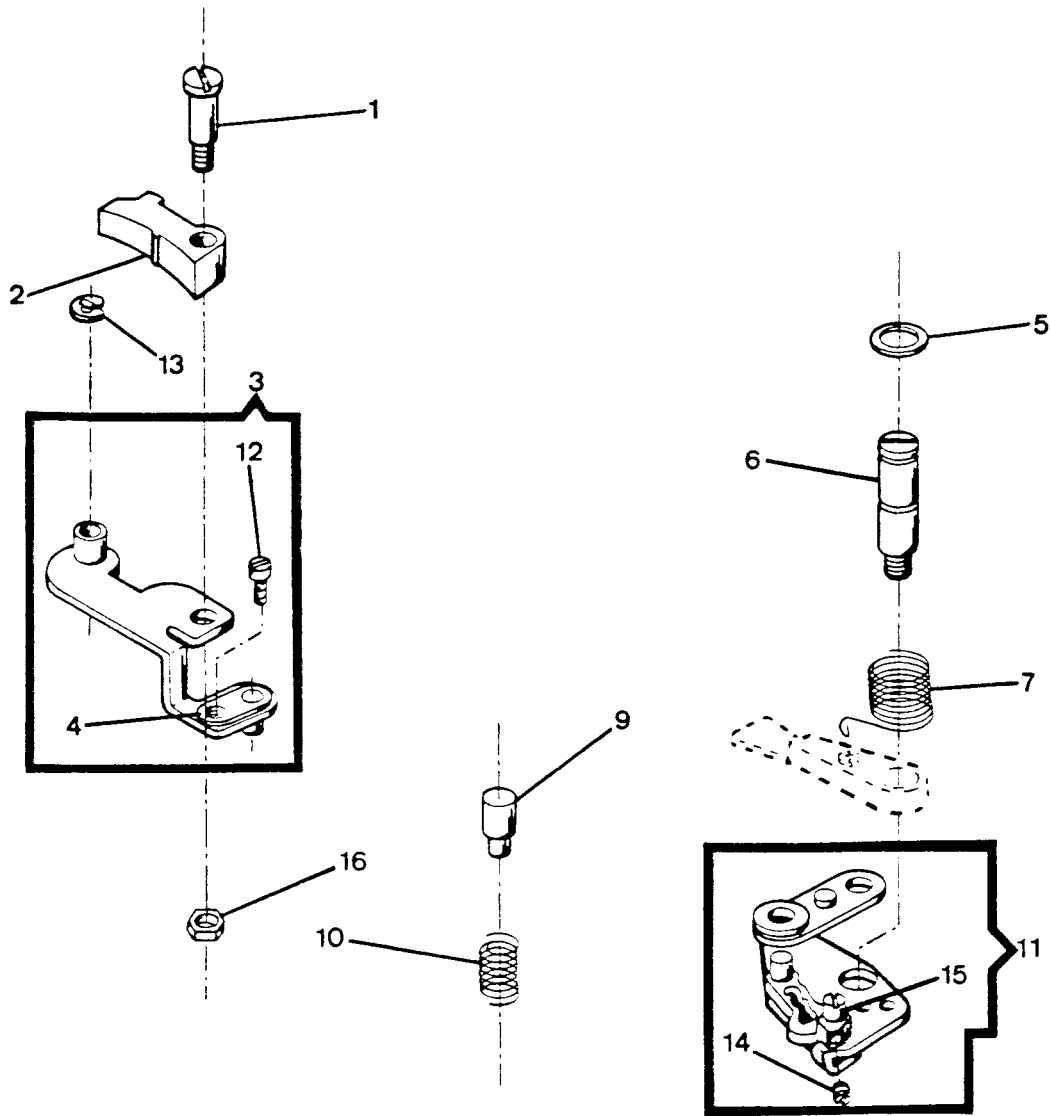
From the library of: Diamond Needle Corp

PART LIST
BIGHT AMPLITUDE

6 6 4
0 2 5
2 2 3
1 1 8

| REF. | PART NBR | DESCRIPTION | 1 | 1 | 8 |
|------|------------|---|---|---|---|
| 01 | 179893 | BIGHT AMPLITUDE CONTROL LEVER MOUNTING BRACKET COMPLETE | X | X | X |
| 02 | 446342 | BIGHT AMPLITUDE CONTROL LEVER SUB-ASSEMBLY | X | X | X |
| 03 | 139866-451 | BIGHT AMPLITUDE CONTROL LEVER SCREW | X | X | X |
| 04 | 44556 | BUTTONHOLER BIGHT CONTROL CAM FOLLOWER LEVER LINK (LEFT) | X | X | X |
| 05 | 446394 | BIGHT AMPLITUDE CONTROL LEVER | X | X | X |
| 06 | 37246 | BIGHT AMPLITUDE CONTROL LEVER LINK ASSEMBLY | X | X | X |
| 07 | 354825-451 | BIGHT AMPLITUDE CONTROL LEVER LINK HINGE SCREW | X | X | X |
| 08 | 49204 | BIGHT AMPLITUDE CONTROL LEVER LINK HINGE SCREW FRICTION WASHER | X | X | X |
| 09 | 141913-451 | BIGHT AMPLITUDE CONTROL LEVER LINK STOP SCREW | X | X | X |
| 10 | 446904 | BIGHT AMPLITUDE CONTROL LEVER LINK STOP | X | X | X |
| 11 | 531793 | BIGHT AMPLITUDE REGULATING BRACKET | X | X | X |
| 12 | 54591-451 | BIGHT AMPLITUDE REGULATING BRACKET SCREW NUT | X | X | X |
| 13 | 113455-001 | BIGHT AMPLITUDE CONTROL LEVER MOUNTING BRACKET SCREW | X | X | X |
| 14 | 37933-001 | NEEDLE BAR DRIVING ARM | X | X | X |
| 15 | 37942 | NEEDLE BAR DRIVING ARM TENSION SPRING | X | X | X |
| 16 | 445780 | LIGHT LEAD SHIELD & NEEDLE BAR DRIVING ARM TENSION SPRING MOUNTING PLATE | X | X | X |
| 17 | 113455-004 | LIGHT LEAD SHIELD & NEEDLE BAR DRIVING ARM TENSION SPRING MOUNTING PLATE SCREW | X | X | X |
| 18 | 446398-453 | BIGHT AMPLITUDE CONTROL LEVER KNOB (PLASTIC) (DARK GRAY) | | | X |
| 18 | 446398-455 | BIGHT AMPLITUDE CONTROL LEVER KNOB (PLASTIC) (BLACK) | X | X | |
| 18 | 446398-454 | BIGHT AMPLITUDE CONTROL LEVER KNOB (PLASTIC) (LIGHT BUFF) (ALTERNATE) | | | X |

NEEDLE POSITION

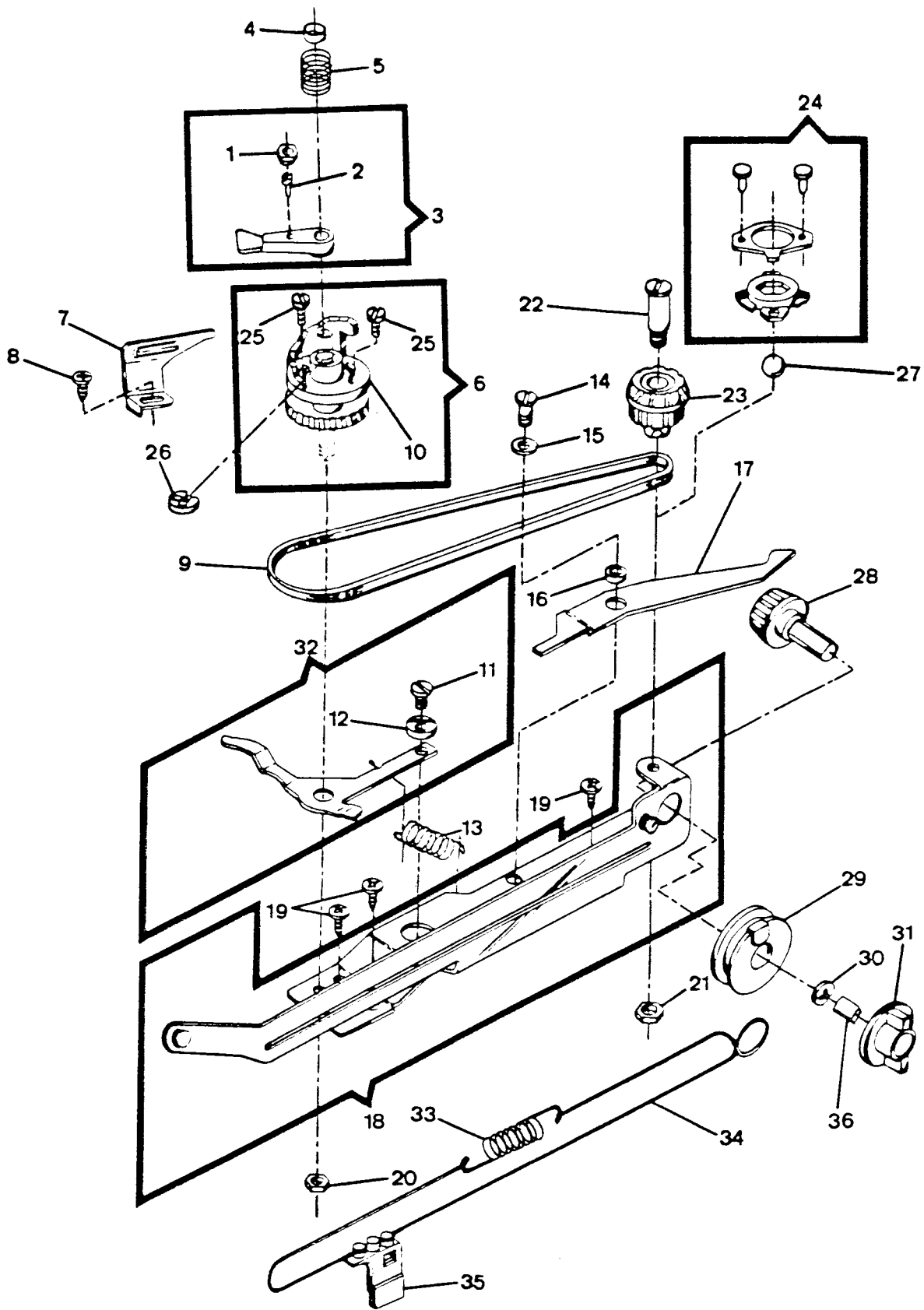


From the library of: Diamond Needle Corp

PART LIST
NEEDLE POSITION

| REF. | PART NBR | DESCRIPTION | 6 | 6 | 4 |
|------|------------|--|---|---|---|
| | | | 0 | 2 | 5 |
| | | | 2 | 2 | 3 |
| | | | 1 | 1 | 8 |
| 01 | 355241-451 | NEEDLE BAR DRIVING ARM SLIDE SCREW | X | X | X |
| 02 | 531740 | NEEDLE BAR DRIVING ARM SLIDE | X | X | X |
| 03 | 531733 | NEEDLE BAR DRIVING ARM SLIDE BRACKET COMPLETE | X | X | X |
| 04 | 531736 | NEEDLE POSITION SELECTOR BRACKET FOLLOWER STUD ARM ASSEMBLY | X | X | X |
| 05 | 353548 | DISC FOLLOWER STUD WASHER | X | X | X |
| 06 | 531706 | DISC FOLLOWER STUD | X | X | X |
| 07 | 531704 | DISC FOLLOWER SPRING | X | X | X |
| 09 | 319690 | NEEDLE POSITION SELECTOR LEVER BRACKET POSITIONING PIN | X | X | X |
| 10 | 444800 | NEEDLE POSITION SELECTOR LEVER BRACKET POSITIONING PIN SPRING | X | X | X |
| 11 | 531707 | NEEDLE POSITION SELECTOR LEVER BRACKET COMPLETE | X | X | X |
| 12 | 141913-451 | NEEDLE POSITION SELECTOR BRACKET FOLLOWER STUD ARM SET SCREW | X | X | X |
| 13 | 445721 | NEEDLE BAR DRIVING ARM SLIDE BRACKET RETAINING RING | X | X | X |
| 14 | 141920-452 | NEEDLE POSITION SELECTOR CAM & FOLLOWER STUD SET SCREW | X | X | X |
| 15 | 531708 | NEEDLE POSITION SELECTOR CAM & FOLLOWER STUD (ECCENTRIC) | X | X | X |
| 16 | 618638-005 | NEEDLE BAR DRIVING ARM SLIDE SCREW LOCK NUT | X | X | X |

FISC SELECTION ASSEMBLY



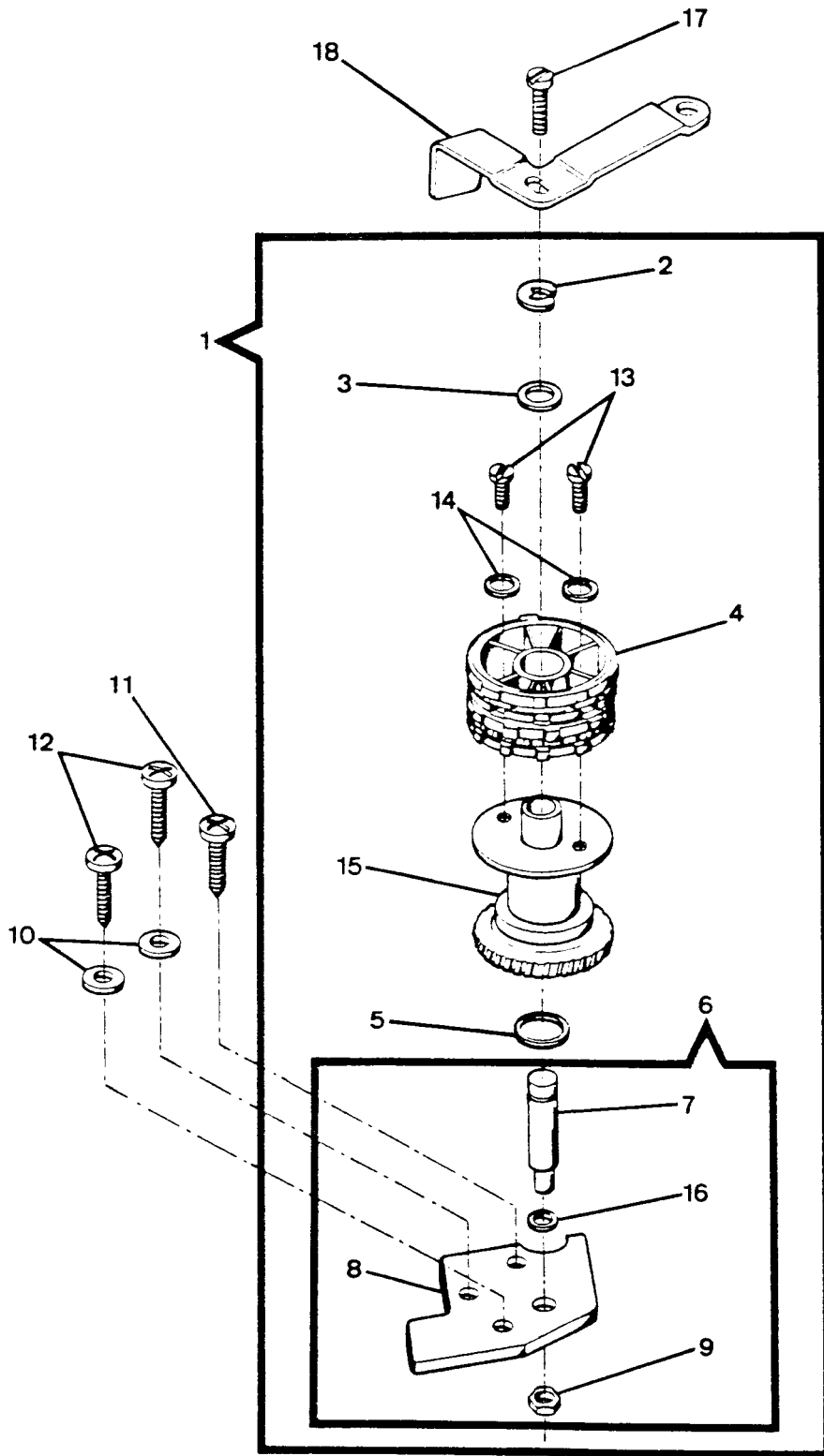
From the library of: Diamond Needle Corp

PART LIST
DISC SELECTION ASSEMBLY

| REF. | PART NBR | DESCRIPTION | 6 | 6 | 4 |
|------|------------|---|---|---|---|
| | | | 0 | 2 | 5 |
| | | | 2 | 2 | 3 |
| | | | 1 | 1 | 8 |
| 01 | 531699-451 | DISC FOLLOWER ADJUSTING SCREW STUD NUT | X | X | X |
| 02 | 445341 | DISC FOLLOWER ADJUSTING SCREW STUD | X | X | X |
| 03 | 531697 | DISC FOLLOWER ASSEMBLY | X | X | X |
| 04 | 353548 | KICK OUT LEVER CAM PIN RETAINING RING | X | X | X |
| 05 | 531704 | DISC FOLLOWER SPRING | X | X | X |
| 06 | 531700 | PATTERN SELECTOR CAM SLIDE | X | X | X |
| 07 | 531910 | PATTERN SELECTOR CAM STOP | X | X | X |
| 08 | 113455-001 | PATTERN SELECTOR CAM STOP SCREW | X | X | X |
| 09 | 531726-001 | DISC SELECTOR MECHANISM BELT | X | X | X |
| 10 | 531701 | DISC SELECTOR CAM | X | X | X |
| 11 | 141920-452 | DISC FOLLOWER DISENGAGING LEVER ECCENTRIC SCREW | X | X | X |
| 12 | 444866 | DISC FOLLOWER DISENGAGING LEVER ECCENTRIC | X | X | X |
| 13 | 531705 | DISC FOLLOWER DISENGAGING LEVER SPRING | X | X | X |
| 14 | 113430-451 | DISC FOLLOWER DISENGAGING LEVER SCREW | X | X | X |
| 15 | 445765 | DISC FOLLOWER DISENGAGING LEVER SCREW WASHER | X | X | X |
| 16 | 531724 | DISC FOLLOWER DISENGAGING LEVER HINGE COLLAR | X | X | X |
| 17 | 531723 | DISC FOLLOWER DISENGAGING LEVER (RIGHT) | X | X | X |
| 18 | 531691 | PATTERN SELECTOR MOUNTING PLATE ASSEMBLY | X | X | X |
| 19 | 113455-001 | PATTERN SELECTOR MOUNTING PLATE SCREW | X | X | X |
| 20 | 54591-451 | DISC FOLLOWER STUD NUT | X | X | X |
| 21 | 618638-004 | PATTERN SELECTOR GEAR & PULLEY SCREW NUT | X | X | X |
| 22 | 531729-451 | PATTERN SELECTOR GEAR & PULLEY SCREW | X | X | X |
| 23 | 531727 | PATTERN SELECTOR GEAR & PULLEY | X | X | X |
| 24 | 356133 | KICK OUT LEVER CAM COMPLETE | X | X | X |
| 25 | 531703-451 | PATTERN SELECTOR CAM PULLEY SCREW | X | X | X |
| 26 | 445486 | DISC SELECTOR CAM RETAINING RING | X | X | X |
| 27 | 356169 | KICK OUT LEVER CAM SPHERE | X | X | X |
| 28 | 531717 | PATTERN SELECTOR KNOB PIN & GEAR | X | X | X |
| 29 | 531719 | PATTERN SELECTOR PULLEY | X | X | X |
| 30 | 546623 | PATTERN SELECTOR PULLEY RETAINING RING | X | X | X |
| 31 | 531730-454 | PATTERN SELECTOR KNOB ASSEMBLY (BLACK) | X | X | |
| 31 | 531730-455 | PATTERN SELECTOR KNOB ASSEMBLY (DARK GRAY) | | | X |
| 31 | 531730-456 | PATTERN SELECTOR KNOB ASSEMBLY (LIGHT BUFF) | | | X |
| 32 | 531695 | DISC FOLLOWER DISENGAGING LEVER ASSEMBLY | X | X | X |
| 33 | 531721 | PATTERN SELECTOR INDICATOR DRIVING CORD TENSION SPRING | X | X | X |
| 34 | 531720 | PATTERN SELECTOR INDICATOR DRIVING CORD | X | X | X |
| 35 | 531722-451 | PATTERN SELECTOR INDICATOR | X | X | |
| 35 | 531722-452 | PATTERN SELECTOR INDICATOR | | | X |
| 36 | 312264 | PATTERN SELECTOR KNOB RETAINING CLIP | X | X | X |

From the library of: Diamond Needle Corp

CAM STACK



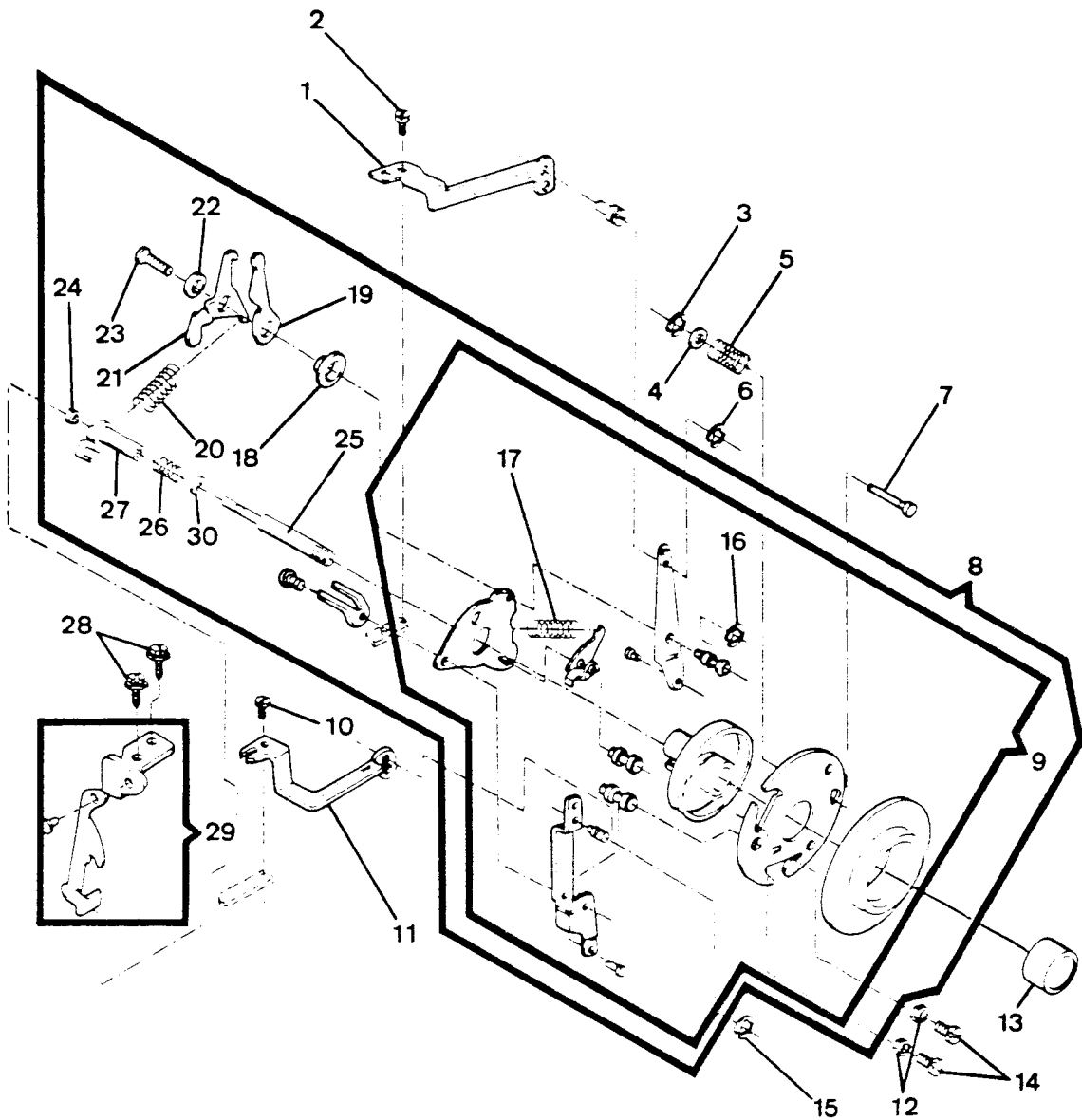
From the library of: Diamond Needle Corp

PART LIST
CAM STACK

6 6 4
0 2 5
2 2 3
1 1 8

| REF. | PART NBR | DESCRIPTION | 1 | 1 | 8 |
|------|------------|--|---|---|---|
| 01 | 531741 | DISC DRIVING GEAR COMPLETE | X | X | X |
| 02 | 444921 | DISC DRIVING GEAR RETAINING RING | X | X | X |
| 03 | 444923-453 | DISC DRIVING GEAR SHAFT FRICTION WASHER | X | X | X |
| 04 | 531747 | DISC STACK | X | X | X |
| 05 | 353424 | DISC DRIVING GEAR WAVE WASHER | X | X | X |
| 06 | 531742 | DISC DRIVING GEAR SHAFT MOUNTING PLATE ASSEMBLY | X | X | X |
| 07 | 531743 | DISC DRIVING GEAR SHAFT | X | X | X |
| 08 | 353575 | DISC DRIVING GEAR SHAFT MOUNTING PLATE | X | X | X |
| 09 | 53648-451 | DISC DRIVING GEAR SHAFT NUT | X | X | X |
| 10 | 353375-451 | DISC DRIVING GEAR SHAFT MOUNTING PLATE SCREW WASHER | X | X | X |
| 11 | 113455-001 | DISC DRIVING GEAR SHAFT MOUNTING PLATE SCREW | X | X | X |
| 12 | 113435-451 | DISC DRIVING GEAR SHAFT MOUNTING PLATE SCREW | X | X | X |
| 13 | 141920-452 | DISC STACK POSITIONING SCREW | X | X | X |
| 14 | 313190-451 | DISC STACK POSITIONING SCREW WASHER | X | X | X |
| 15 | 531744 | DISC DRIVING GEAR | X | X | X |
| 16 | 353488 | DISC DRIVING GEAR SHAFT WASHER | X | X | X |
| 17 | 354654-451 | DISC DRIVING GEAR (COMPLETE) SUPPORT MOUNTING SCREW | X | X | X |
| 18 | 531748 | DISC DRIVING GEAR (COMPLETE) SUPPORT BRACKET | X | X | X |

BUTTONHOLER & FEED REGULATOR CAM

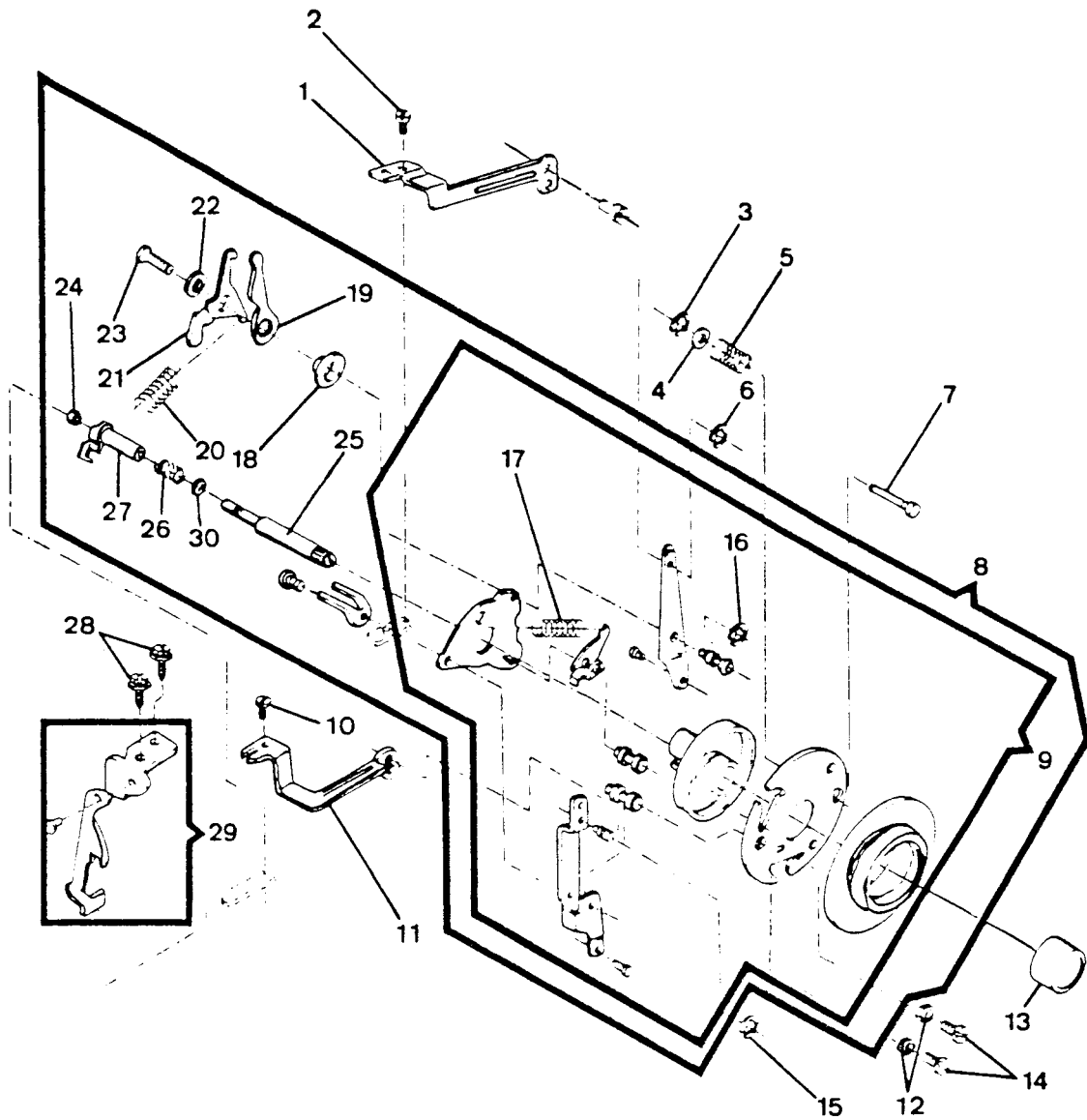


From the library of: Diamond Needle Corp

PART LIST
 BUTTONHOLER & FEED REGULATOR CAM

| REF. | PART NBR | DESCRIPTION | 6 | 6 | 4 |
|------|------------|---|---|---|---|
| | | | 0 | 2 | 5 |
| | | | 2 | 2 | 3 |
| | | | 1 | 1 | 8 |
| 01 | SK-4331 | BUTTONHOLER NEEDLE POSITION CAM FOLLOWER LEVER LINK (RIGHT) | X | X | X |
| 02 | 141913-451 | BUTTONHOLER NEEDLE POSITION CAM FOLLOWER LEVER LINK (LEFT AND RIGHT) SCREW | X | X | X |
| 03 | 408030 | BUTTONHOLER & FEED REGULATOR MECHANISM MOUNTING PLATE STUD RETAINING RING | X | X | X |
| 04 | 445808 | BUTTONHOLER & FEED REGULATOR MECHANISM MOUNTING PLATE STUD SPRING WASHER | X | X | X |
| 05 | 179949 | BUTTONHOLER & FEED REGULATOR MECHANISM MOUNTING PLATE STUD SPRING | X | X | X |
| 06 | 445486 | BUTTONHOLER NEEDLE POSITION CAM FOLLOWER LEVER LINK (RIGHT) RETAINING RING | X | X | X |
| 07 | 356230 | BUTTONHOLER & FEED REGULATOR MECHANISM MOUNTING PLATE STUD | X | X | X |
| 08 | 356799-451 | BUTTONHOLER & FEED REGULATOR CAM COMPLETE | X | X | |
| 08 | 356799-453 | BUTTONHOLER & FEED REGULATOR CAM COMPLETE | | | X |
| 09 | 356800-451 | BUTTONHOLER & FEED REGULATOR CAM ASSEMBLY | X | X | |
| 09 | 356791-453 | BUTTONHOLER & FEED REGULATOR CAM ASSEMBLY | | | X |
| 10 | 141913-451 | BUTTONHOLER BIGHT CONTROL CAM FOLLOWER LEVER LINK (LEFT & RIGHT) SCREW | X | X | X |
| 11 | 353551 | BUTTONHOLER BIGHT CONTROL CAM FOLLOWER LEVER LINK | X | X | X |
| 12 | 353588-451 | BUTTONHOLER & FEED REGULATOR MECHANISM MOUNTING PLATE SCREW NUT | X | X | X |
| 13 | 356654-451 | FEED REGULATOR POSITIONING PIN KNOB | X | X | |
| 13 | 356654-455 | FEED REGULATOR POSITIONING PIN KNOB | | | X |
| 14 | 113513-451 | BUTTONHOLER & FEED REGULATOR MECHANISM MOUNTING PLATE SCREW | X | X | X |
| 15 | 445486 | BUTTONHOLER BIGHT CONTROL CAM FOLLOWER LEVER LINK RETAINING RING | X | X | X |
| 16 | 353215 | BUTTONHOLER NEEDLE POSITION CAM FOLLOWER LEVER RETAINING RING | X | X | X |
| 17 | 353495 | BUTTONHOLER & FEED REGULATOR CONTROL DIAL PAWL SPRING | X | X | X |
| 18 | 353319 | CAM CONTROL FEED ENGAGING CAM FOLLOWER LEVER BUSHING | X | X | X |

From the library of: Diamond Needle Corp



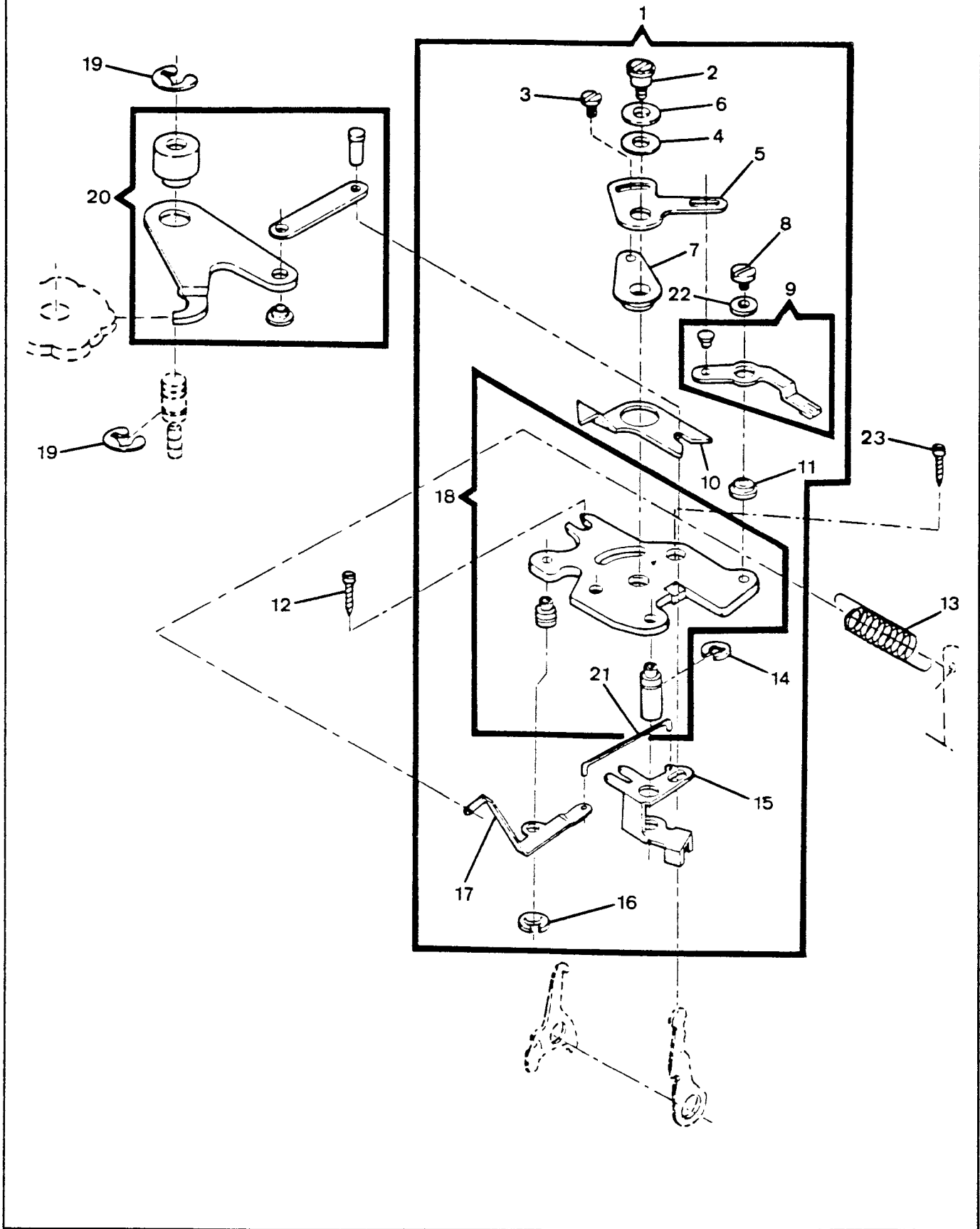
From the library of: Diamond Needle Corp

PART LIST
 BUTTONHOLER & FEED REGULATOR CAM (CONT.)

| | | |
|---|---|---|
| 6 | 6 | 4 |
| 0 | 2 | 5 |
| 2 | 2 | 3 |
| 1 | 1 | 8 |

| REF. | PART NBR | DESCRIPTION | 1 | 1 | 8 |
|------|------------|---|---|---|---|
| 19 | 353321 | CAM CONTROL FEED ENGAGING CAM FOLLOWER LEVER | X | X | X |
| 20 | 353495 | CAM CONTROL FEED ENGAGING CAM FOLLOWER & LEVER SPRING | X | X | X |
| 21 | 353320 | CAM CONTROL FEED ENGAGING CAM FOLLOWER | X | X | X |
| 22 | 445539 | CAM CONTROL FEED ENGAGING CAM FOLLOWER & LEVER LINK WASHER | X | X | X |
| 23 | 113372-451 | CAM CONTROL FEED ENGAGING CAM FOLLOWER & LEVER MOUNTING SCREW | X | X | X |
| 24 | 618638-005 | FEED REGULATOR POSITIONING PIN CARRIER INSERT NUT | X | X | X |
| 25 | 356650 | FEED REGULATOR POSITIONING PIN | X | X | X |
| 26 | 44892 | FEED REGULATOR POSITIONING PIN FRICTION SPRING | X | X | X |
| 27 | 356652 | FEED REGULATOR POSITIONING PIN FRICTION CARRIER | X | X | X |
| 28 | 113455-001 | FEED REGULATOR CONTROL ARM MOUNTING BRACKET SCREW | X | X | X |
| 29 | 353304 | FEED REGULATOR CONTROL ARM ASSEMBLY | X | X | X |
| 30 | 356830-001 | FEED REGULATOR POSITIONING PIN WASHER | X | X | X |

From the library of: Diamond Needle Corp



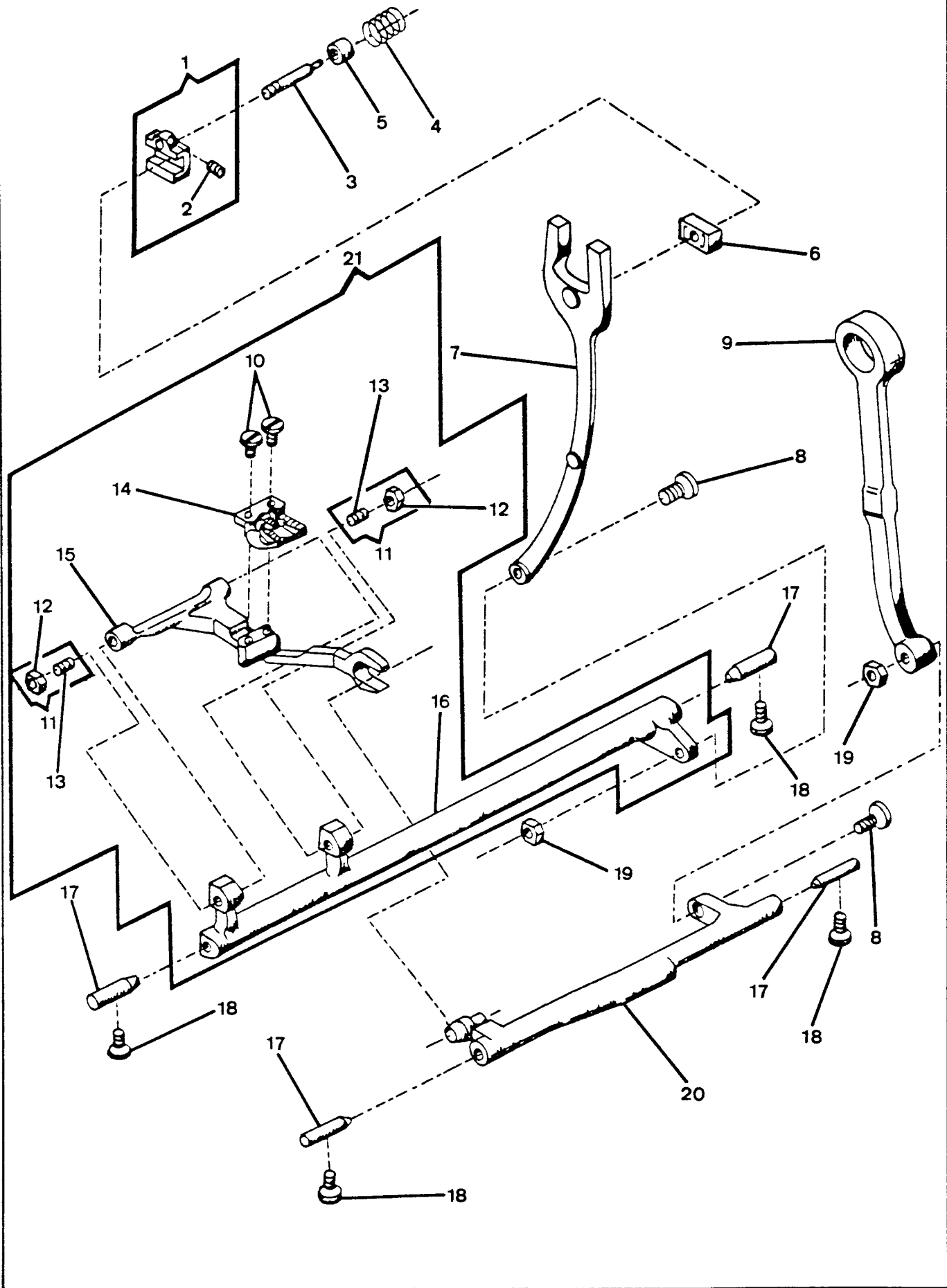
PART LIST
CAM CONTROLLED FEED

6 6 4
0 2 5
2 2 3
1 1 8

| REF. | PART NBR | DESCRIPTION | | | |
|------|------------|--|---|---|---|
| 01 | 531749 | CAM CONTROLLED FEED MOUNTING BRACKET COMPLETE | X | X | X |
| 02 | 113423-451 | CAM CONTROLLED FEED BALANCE ADJUSTING SPRING HINGE SCREW | X | X | X |
| 03 | 141913-451 | CAM CONTROLLED FEED BALANCE ADJUSTING SCREW | X | X | X |
| 04 | 353492 | CAM CONTROLLED FEED BALANCE ADJUSTING SPRING WASHER | X | X | X |
| 05 | 531754 | CAM CONTROLLED FEED BALANCE ADJUSTING SPRING | X | X | X |
| 06 | 543531 | CAM CONTROLLED FEED BALANCE ADJUSTING SCREW WASHER | X | X | X |
| 07 | 353331 | CAM CONTROLLED FEED DRIVING ARM ECCENTRIC | X | X | X |
| 08 | 113424-451 | CAM CONTROLLED FEED BALANCE ADJUSTING LEVER HINGE SCREW | X | X | X |
| 09 | 531752 | CAM CONTROLLED FEED BALANCE ADJUSTING LEVER ASSEMBLY | X | X | X |
| 10 | 353330 | CAM CONTROLLED FEED DRIVING ARM | X | X | X |
| 11 | 353334 | CAM CONTROLLED FEED BALANCE ADJUSTING LEVER MOUNTING BUSHING | X | X | X |
| 12 | 355243-451 | CAM CONTROLLED FEED MOUNTING BRACKET SCREW (BACK) | X | X | X |
| 13 | 356605 | FEED REGULATOR CONTROL ARM BIAS LINK SPRING | X | X | X |
| 14 | 445721 | CAM CONTROLLED FEED ENGAGING CRANK RETAINING RING | X | X | X |
| 15 | 353329 | CAM CONTROLLED FEED ENGAGING CRANK | X | X | X |
| 16 | 445486 | CAM CONTROLLED FEED ENGAGING CRANK LEVER RETAINING RING | X | X | X |
| 17 | 356166 | CAM CONTROLLED FEED ENGAGING CRANK LEVER | X | X | X |
| 18 | 531750 | CAM CONTROLLED FEED MOUNTING BRACKET ASSEMBLY | X | X | X |
| 19 | 445486 | CAM CONTROLLED FEED ENGAGING CRANK LEVER RETAINING RING | X | X | X |
| 20 | 353335 | CAM CONTROLLED FEED FOLLOWER & LINK ASSEMBLY | X | X | X |
| 21 | 353473 | CAM CONTROLLED FEED ENGAGING CRANK LINK | X | X | X |
| 22 | 422523 | CAM CONTROLLED FEED BALANCE ADJUSTING LEVER WASHER | X | X | X |
| 23 | 113455-003 | CAM CONTROLLED FEED MOUNTING BRACKET SCREW (RIGHT) | X | X | X |

From the library of: Diamond Needle Corp

FEED SYSTEM



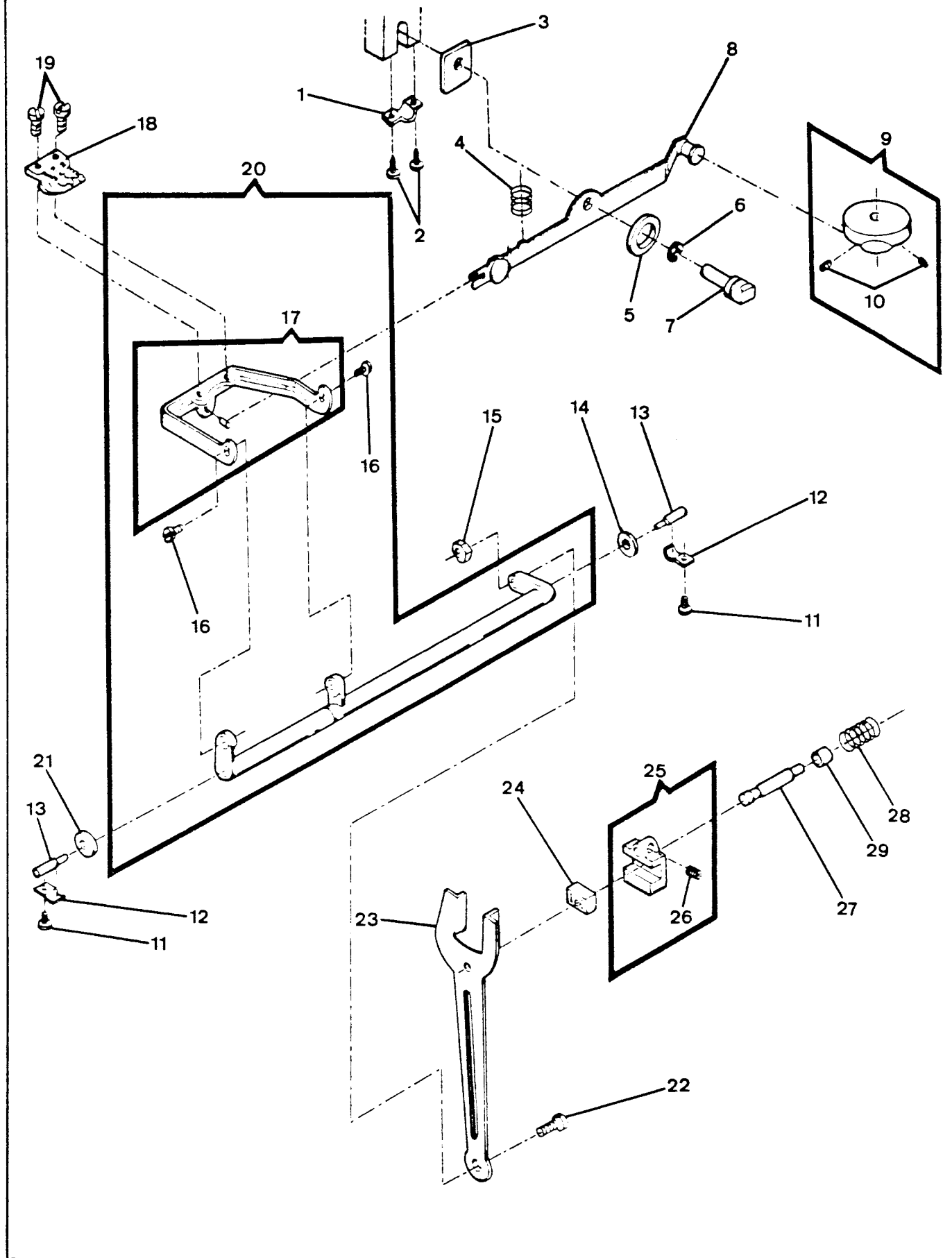
From the library of: Diamond Needle Corp

PART LIST
FEED SYSTEM

6 6 4
0 2 5
2 2 3
1 1 8

| REF. | PART NBR | DESCRIPTION | |
|------|------------|---|---|
| 01 | 446244 | FEED REGULATOR ASSEMBLY | X |
| 02 | 141925-833 | FEED REGULATOR SET SCREW | X |
| 03 | 446483 | FEED REGULATOR HINGE STUD | X |
| 04 | 179890 | FEED REGULATOR RETURN SPRING | X |
| 05 | 445768 | FEED REGULATOR RETURN SPRING BUSHING (PLASTIC) | X |
| 06 | 44437 | FEED FORKED CONNECTING SLIDE BLOCK | X |
| 07 | 531669 | FEED FORKED CONNECTING WITH STUD | X |
| 08 | 141805-850 | FEED LIFTING ROCK SHAFT CONNECTING ROD HINGE SCREW (ECCENTRIC) | X |
| 09 | 37288 | FEED LIFTING ROCK SHAFT CONNECTING ROD (MACHINED) | X |
| 10 | 141808-451 | FEED DOG SCREW | X |
| 11 | 44505 | FEED BAR SCREW CENTER | X |
| 12 | 53647-819 | FEED BAR SCREW CENTER NUT | X |
| 13 | 141921-850 | FEED BAR SCREW | X |
| 14 | 531667 | FEED DOG | X |
| 15 | 44601 | FEED BAR | X |
| 16 | 531666-900 | FEED ROCK SHAFT | X |
| 17 | 37287 | FEED LIFTING ROCK SHAFT & FEED ROCK SHAFT CENTER | X |
| 18 | 141925-833 | FEED LIFTING ROCK SHAFT CENTER SET SCREW | X |
| 19 | 53648-451 | FEED FORKED CONNECTING SCREW STUD NUT | X |
| 20 | 446153 | FEED LIFTING ROCK SHAFT COMPLETE | X |
| 21 | 531665 | FEED ROCK SHAFT COMPLETE | X |

FEED SYSTEM (CONT.)



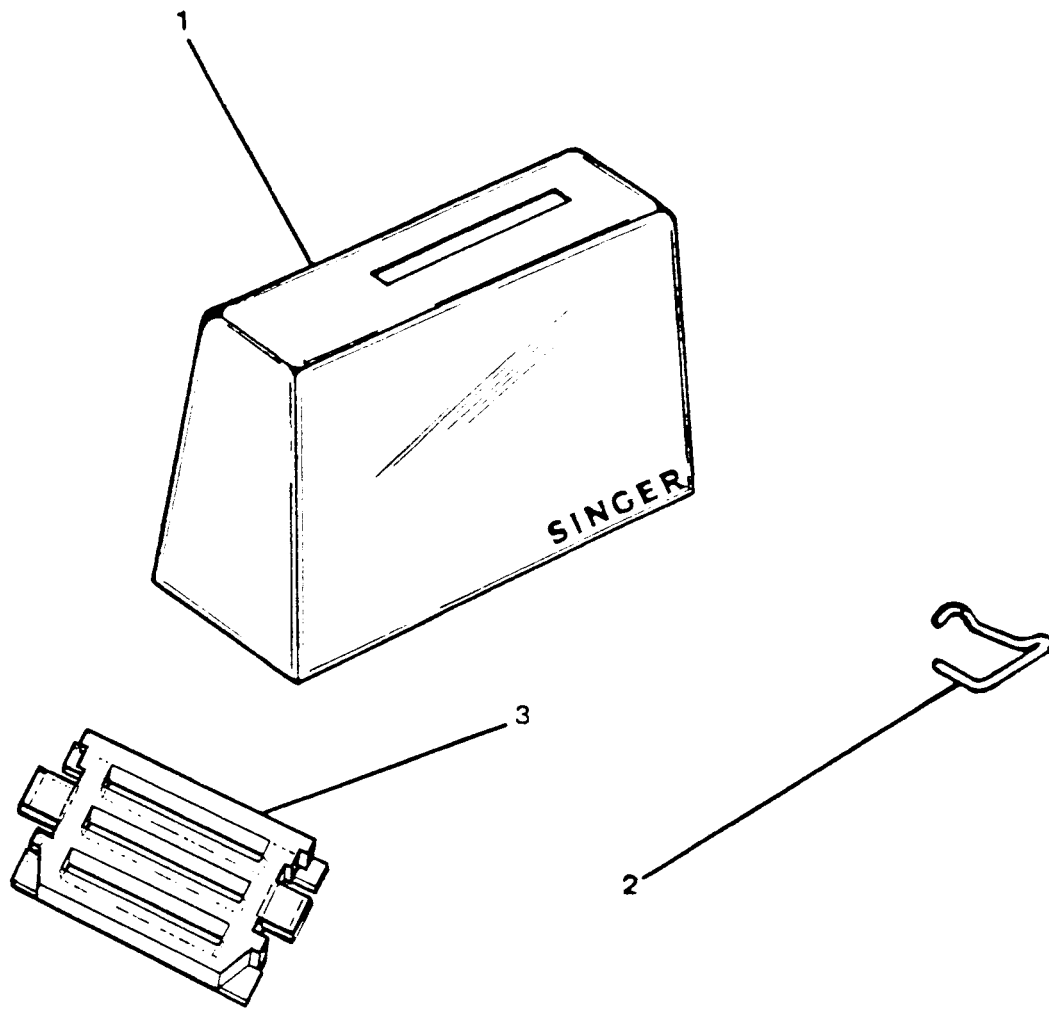
From the library of: Diamond Needle Corp

PART LIST
FEED SYSTEM (CONT.)

| REF. | PART NBR | DESCRIPTION | 6 | 6 | 4 |
|------|------------|---|---|---|---|
| | | | 0 | 2 | 5 |
| | | | 2 | 2 | 3 |
| | | | 1 | 1 | 8 |
| 01 | 446485 | FEED LIFTING LEVER HINGE STUD (ECCENTRIC) CLAMP | | X | X |
| 02 | 113455-001 | FEED LIFTING LEVER HINGE STUD (ECCENTRIC) CLAMP SCREW | | X | X |
| 03 | 179955 | FEED LIFTING LEVER HINGE STUD (ECCENTRIC) SPACER | | X | X |
| 04 | 446249 | FEED LIFTING LEVER SPRING | | X | X |
| 05 | 353427 | FEED LIFTING LEVER HINGE STUD (ECCENTRIC) WASHER | | X | X |
| 06 | 353428 | FEED LIFTING LEVER HINGE STUD (ECCENTRIC) RETAINING RING | | X | X |
| 07 | 353448 | FEED LIFTING LEVER HINGE STUD (ECCENTRIC) | | X | X |
| 08 | 356222 | FEED LIFTING LEVER ASSEMBLY | | X | X |
| 09 | 446228 | FEED LIFTING CAM | | X | X |
| 10 | 544118 | FEED LIFTING CAM SCREW | | X | X |
| 11 | 113455-001 | FEED ROCK SHAFT CENTER SUPPORTING BRACKET SCREW | | X | X |
| 12 | 446484 | FEED ROCK SHAFT CENTER CLAMP (LEFT & RIGHT) | | X | X |
| 13 | 446487 | FEED ROCK SHAFT CENTER | | X | X |
| 14 | 353397 | FEED ROCK SHAFT CENTER (RIGHT) NOISE DAMPENING WASHER | | X | X |
| 15 | 53648-451 | FEED FORKED CONNECTION SCREW STUD NUT | | X | X |
| 16 | 354939-451 | FEED BAR HINGE SCREW | | X | X |
| 17 | 446205 | FEED BAR ASSEMBLY | | X | X |
| 18 | 179891 | FEED DOG | | X | X |
| 19 | 355235-451 | FEED DOG SCREW | | X | X |
| 20 | 446216 | FEED ROCK SHAFT COMPLETE | | X | X |
| 21 | 353397 | FEED ROCK SHAFT CENTER (RIGHT) NOISE DAMPENING WASHER | | X | X |
| 22 | 531623-451 | FEED FORKED CONNECTING HINGE SCREW (ECCENTRIC) | | X | X |
| 23 | 531926 | FEED FORKED CONNECTION | | X | X |
| 24 | 44437 | FEED FORKED CONNECTION SLIDE BLOCK | | X | X |
| 25 | 446244 | FEED REGULATOR ASSEMBLY | | X | X |
| 26 | 141925-833 | FEED REGULATOR SET SCREW | | X | X |
| 27 | 446483 | FEED REGULATOR HINGE STUD | | X | X |
| 28 | 179890 | FEED REGULATOR RETURN SPRING | | X | X |
| 29 | 445768 | FEED REGULATOR RETURN SPRING BUSHING | | | |

From the library of: Diamond Needle Corp

OPTIONS



From the library of: Diamond Needle Corp

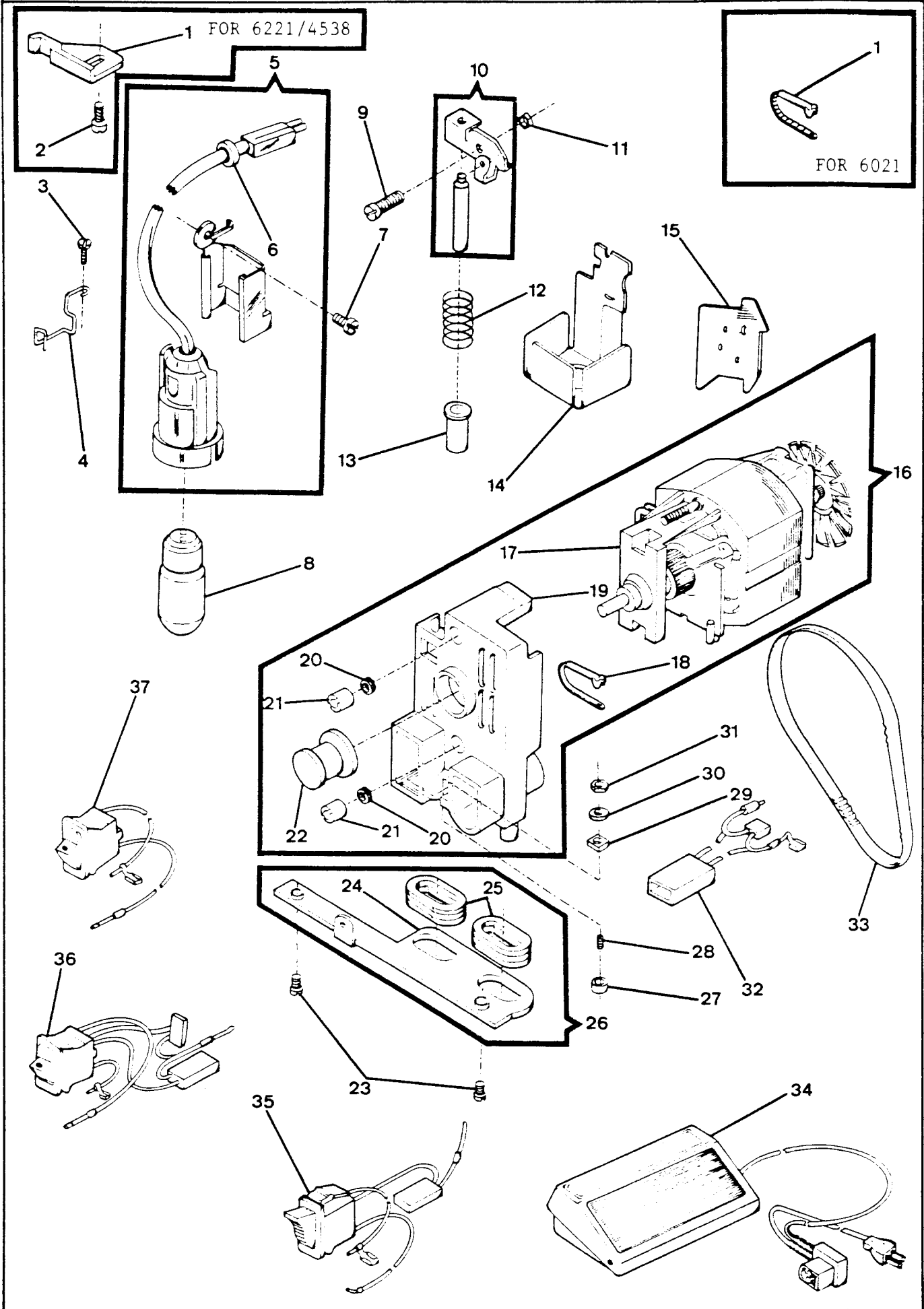
PART LIST
 OPTIONS

6 6 4
 0 2 5
 2 2 3
 1 1 8

| REF. | PART NBR | DESCRIPTION | | | |
|------|------------|--------------------|---|---|---|
| 01 | 531928-451 | SOFT COVER (VINYL) | X | X | X |
| 02 | 116863 | FINGER GUARD | X | X | X |
| 03 | 446480 | FACE PLATE GRILLE | X | X | X |

From the library of: Diamond Needle Corp

ELECTRICAL EQUIPMENT



From the library of: Diamond Needle Corp

PART LIST
ELECTRICAL EQUIPMENT

| REF. | PART NBR | DESCRIPTION | 6 | 6 | 4 |
|------|-------------|---|---|---|---|
| | | | 0 | 2 | 5 |
| | | | 2 | 2 | 3 |
| | | | 1 | 1 | 8 |
| 01 | 353411 | LIGHT LEAD RETAINING CLIP | | X | X |
| 01 | 605600-001 | LIGHT LEAD RETAINING CLIP | X | | |
| 02 | 113453-001 | LIGHT LEAD RETAINING CLIP MOUNTING SCREW | X | X | X |
| 03 | 113455-001 | LIGHT LEAD WIRE RETAINER MOUNTING SCREW | X | X | X |
| 04 | 353247 | LIGHT LEAD WIRE RETAINER | X | X | X |
| 05 | | REFER TO CHARTS ON FOLLOWING PAGES | | | |
| 06 | 179908 | LIGHT LEAD GROMMET | X | X | X |
| 07 | 354592-451 | LIGHT SOCKET MOUNTING SCREW | X | X | X |
| 08 | 988076-001 | LAMP (120V) | X | X | X |
| 08 | 988076-003 | LAMP (220V) | X | X | X |
| 08 | 988076-005 | LAMP (240V) | X | X | X |
| 09 | 113372-451 | MOTOR GUIDE PIN MOUNTING BRACKET SCREW | X | X | X |
| 10 | 446470 | MOTOR GUIDE PIN MOUNTING BRACKET ASSEMBLY | X | X | X |
| 11 | 313470-452 | MOTOR GUIDE PIN MOUNTING BRACKET SCREW NUT | X | X | X |
| 12 | 446473 | MOTOR BELT TENSION SPRING | X | X | X |
| 13 | 446475 | MOTOR GUIDE PIN BUSHING | X | X | X |
| 14 | 605087-001 | HEAT SHIELD (FOR EUROPE) | X | X | X |
| 15 | 179901 | LIGHT SHIELD (WITHOUT GRAPHICS) | X | X | X |
| 15 | 179910-451 | LIGHT SHIELD (WITH GRAPHICS) | X | X | X |
| 16 | | REFER TO CHARTS ON FOLLOWING PAGES | | | |
| 17 | | REFER TO CHARTS ON FOLLOWING PAGES | | | |
| 18 | 605600-001 | TY RAP | X | X | X |
| 19 | | REFER TO CHARTS ON FOLLOWING PAGES | | | |
| 20 | 604018-003 | MOTOR MODULE WASHER | X | X | X |
| 21 | 603907-001 | MOTOR MODULE NUT | X | X | X |
| 22 | 988761-001 | MOTOR PULLEY | X | X | X |
| 23 | 113370-451 | MOTOR MOUNTING PLATE SCREW | X | X | X |
| 24 | 446476 | MOTOR MOUNTING PLATE | X | X | X |
| 25 | 353355 | MOTOR MOUNTING PLATE GROMMET | X | X | X |
| 26 | 446479 | MOTOR MOUNTING PLATE ASSEMBLY | X | X | X |
| 27 | 988887-001 | MOTOR BELT SCREW CAP | X | X | X |
| 28 | 113343-451 | MOTOR BELT SCREW | X | X | X |
| 29 | 179887 | MOTOR BELT SCREW NUT | X | X | X |
| 30 | 445539 | MOTOR ADJUSTING SCREW LOCK NUT WASHER | X | X | X |
| 31 | 353402-451 | MOTOR ADJUSTING SCREW LOCK NUT | X | X | X |
| 32 | 988768-001 | LIGHT RECEPTACLE HARNESS (SURPRESSED) COMPLETE | X | X | X |
| 32 | 988764-0001 | LIGHT RECEPTACLE HARNESS (UNSURPRESSED) COMPLETE | X | X | X |
| 33 | 353518-001 | MOTOR BELT | X | X | X |
| 34 | | REFER TO CHARTS ON FOLLOWING PAGES | | | |
| 35 | | REFER TO CHARTS ON FOLLOWING PAGES | | | |
| 36 | | REFER TO CHARTS ON FOLLOWING PAGES | | | |
| 37 | | REFER TO CHARTS ON FOLLOWING PAGES | | | |

From the library of: Diamond Needle Corp

ELECTRICAL EQUIPMENT

| REF. | 1 SPEED UNSURPRESSED ----- | U. S | CANADA | EUROPE | GREAT BRITAIN |
|------|---------------------------------|----------------------|-----------------|-----------------|------------------|
| | | (120V) ----- | (120V) ----- | (220V) ----- | (240V) ----- |
| 5 | LIGHT COMP. | NP0032-001 | NP0032-001 | | |
| 5 | LIGHT SOCKET (ALT.) | NP0067-003 | NP0067-003 | | |
| 16 | MOTOR COMPLETE | 988759-001 | 988759-001 | | |
| 17 | SERIES MOTOR MODULE | 988752-001 | 988752-001 | | |
| 19 | COMMUTATOR END | 988760-002 | 988760-002 | | |
| 34 | CONTROLLER | 988274-090 | 988274-090 | | |
| 34 | CONTROLLER (ALT.) | 979314-031 | 979314-031 | | |
| 37 | SWITCH | 988763-P01 | 988763-P01 | | |
| | 1 SPEED SURPRESSED ----- | | | | |
| 5 | LIGHT COMP. | | | NP0032-002 | NP0032-002 |
| 5 | LIGHT SOCKET (ALT.) | | | ----- | ----- |
| 16 | MOTOR COMPLETE | | | 988759-002 | 988759-003 |
| 17 | SERIES MOTOR MODULE | | | 988752-002 | 988752-003 |
| 19 | COMMUTATOR END | | | 988760-002 | 988760-002 |
| 34 | CONTROLLER | | | 988274-051 | 988274-055 |
| 34 | CONTROLLER (ALT.) | | | 979314-026 | 979314-027 |
| 37 | SWITCH | | | 988763-001 | 988763-001 |
| | 1 SPEED SURPRESSED ----- | U. S. (SCR) ----- | | | |
| 5 | LIGHT COMP. | NP0067-003 | | | |
| 16 | MOTOR COMPLETE | 988759-003 | | | |
| 17 | SERIES MOTOR MODULE | 988752-001 | | | |
| 19 | COMMUTATOR END | 988760-002 | | | |
| 34 | CONTROLLER | 979509-001 | | | |
| 37 | SWITCH | 988763-P01 | | | |

From the library of: Diamond Needle Corp

ELECTRICAL EQUIPMENT

| | | ASIA & AFRICA & SOUTH AMERICA | ASIA & AFRICA & SOUTH AMERICA | AFRICA & SOUTH AMERICA | AMEDO |
|------|-------------------------------|--|--|------------------------------|------------------------------|
| REF. | 1 SPEED UNSURPRESSED ----- | FLAT BLADE (120V) ----- | FLAT BLADE (220V) ----- | ROUND PIN (120V) ----- | ROUND PIN (120V) ----- |
| 5 | LIGHT COMP. | NP0032-004 | NP0032-004 | NP0032-004 | NP0032-004 |
| 5 | LIGHT SOCKET (ALT.) | NP0067-003 | NP0067-003 | NP0067-003 | NP0067-003 |
| 16 | MOTOR COMPLETE | 988759-XXA | 988759-004 | 988759-XXA | 988759-P03 |
| 17 | SERIES MOTOR MODULE | 988752-001 | 988752-004 | 988752-001 | 988752-P04 |
| 19 | COMMUTATOR END | 988760-002 | 988760-002 | 988760-002 | 988760-002 |
| 34 | CONTROLLER | 988274-100 | 988274-110 | 988274-097 | 988274-097 |
| 34 | CONTROLLER (ALT.) | 979314-023 | 979314-024 | 979314-021 | 979314-021 |
| 37 | SWITCH | 988763-001 | 988763-001 | 988763-001 | 988763-001 |
| | 1 SPEED SURPRESSED ----- | | | | |
| 5 | LIGHT COMP. | | | | |
| 5 | LIGHT SOCKER (ALT.) | | | | |
| 16 | MOTOR COMPLETE | | | | |
| 17 | SERIES MOTOR MODULE | | | | |
| 19 | COMMUTATOR END | | | | |
| 34 | CONTROLLER | | | | |
| 34 | CONTROLLER (ALT.) | | | | |
| 37 | SWITCH - 2 SPEED | | | | |

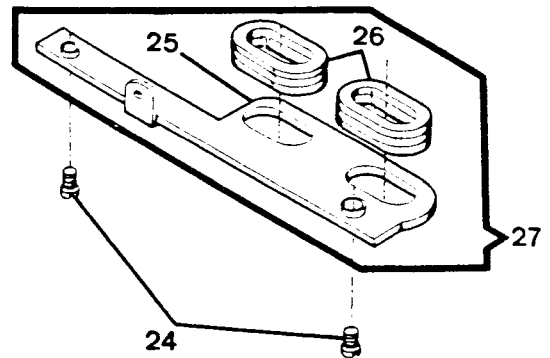
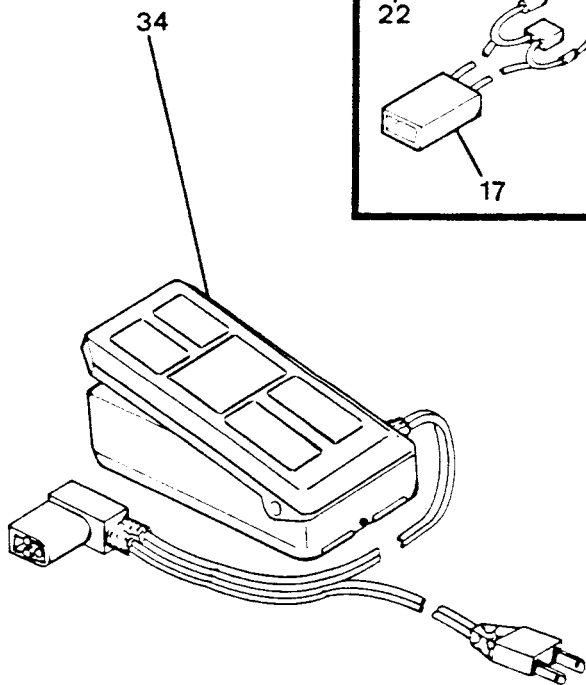
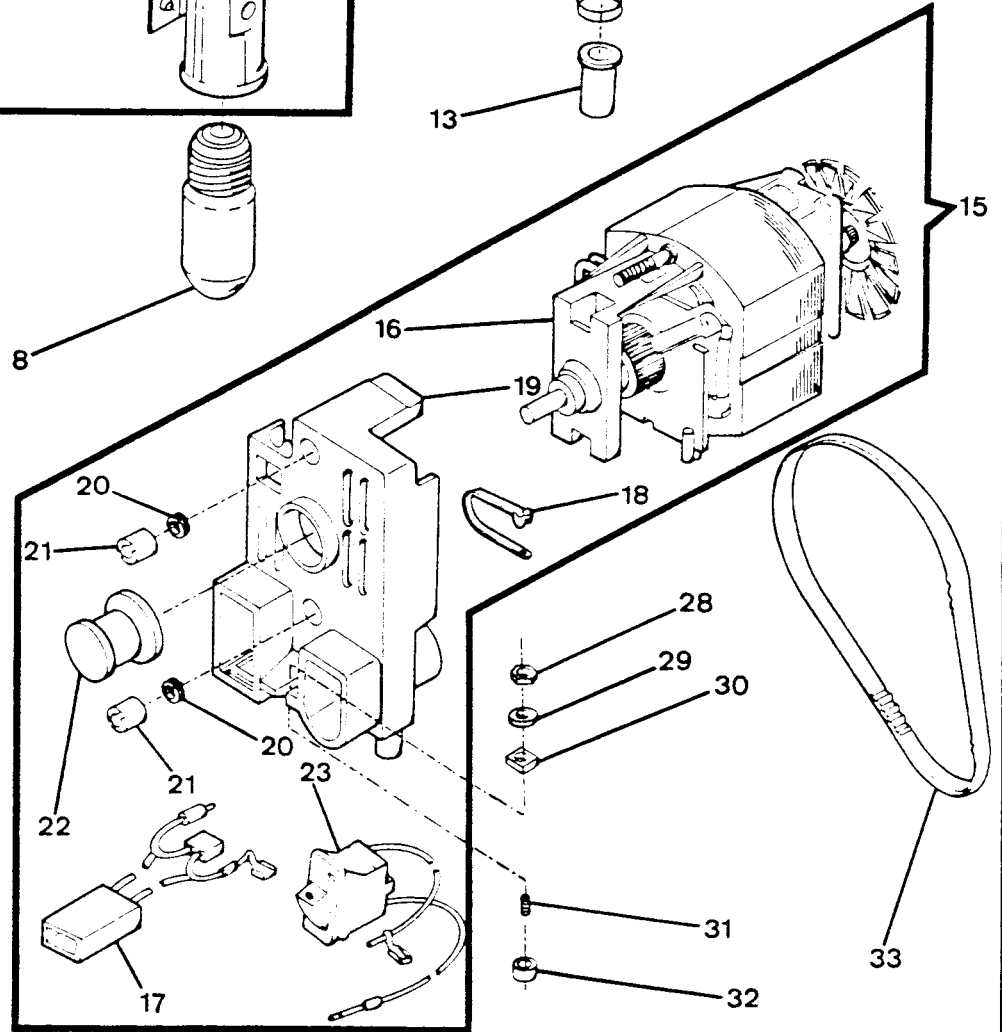
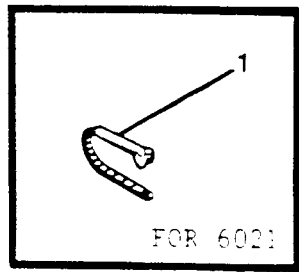
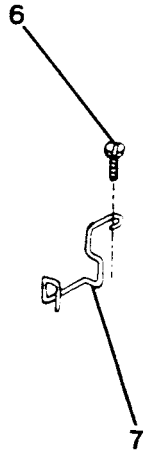
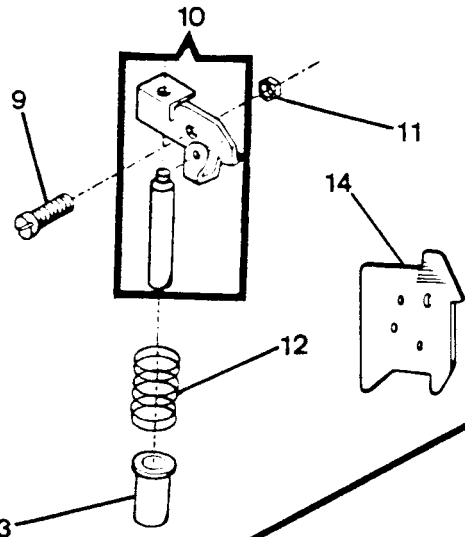
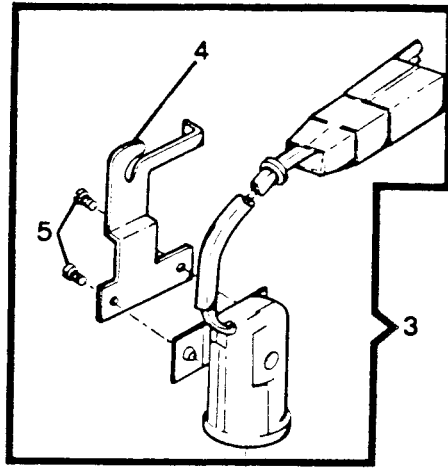
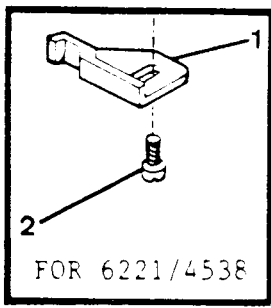
From the library of: Diamond Needle Corp

ELECTRICAL EQUIPMENT

| REF. | 1 SPEED UNSURPRESSED ----- | AFRICA & SOUTH AMERICA | SOUTH AFRICA | AMEDO | AUSTRALIA |
|------|-------------------------------|------------------------------|---------------------|------------------------------|-----------------|
| | | ROUND PIN (220V) ----- | ROUND PIN (220V) | ROUND PIN (220V) ----- | (240V) ----- |
| 5 | LIGHT COMP. | NP0032-004 | | NP0032-004 | |
| 5 | LIGHT SOCKET (ALT.) | NP0067-003 | | NP0067-003 | |
| 16 | MOTOR COMPLETE | 988759-004 | | 988759-P04 | |
| 17 | SERIES MOTOR MODULE | 988752-004 | | 988752-P04 | |
| 19 | COMMUTATOR END | 988760-002 | | 988760-002 | |
| 34 | CONTROLLER | 988274-098 | | 988774-098 | |
| 34 | CONTROLLER (ALT.) | 979314-022 | | 979314-022 | |
| 37 | SWITCH | 988763-001 | | 988763-001 | |
| | 1 SPEED SURPRESSED ----- | | | | |
| 5 | LIGHT COMP. | | NP0032-005 | | NP0032-003 |
| 5 | LIGHT SOCKER (ALT.) | | ---- | | ---- |
| 16 | MOTOR COMPLETE | | 988759-P02 | | 988759-P01 |
| 17 | SERIES MOTOR MODULE | | 988752-P02 | | 988752-P01 |
| 19 | COMMUTATOR END | | 988760-002 | | 988760-002 |
| 34 | CONTROLLER | | 988274-099 | | 988274-057 |
| 34 | CONTROLLER (ALT.) | | 979314-030 | | 979314-028 |
| 37 | SWITCH | | 988763-001 | | 988763-001 |

From the library of: Diamond Needle Corp

ELECTRICAL EQUIPMENT 110V, SINGLE SPEED, SUPRESSED (JAPAN ONLY)



From the library of: Diamond Needle Corp

PART LIST
ELECTRICAL EQUIPMENT 110V, SINGLE SPEED,
SURPRESSED (JAPAN ONLY)

6 6 4
0 2 5
2 2 3
1 1 8

| REF. | PART NBR | DESCRIPTION | | | |
|------|------------|--|---|---|---|
| 01 | 605600-001 | LIGHT LEAD RETAINING CLIP (TYE RAP) | X | | |
| 01 | 353411 | LIGHT LEAD RETAINING CLIP | | X | X |
| 02 | 013504-451 | LIGHT LEAD RETAINING CLIP MOUNTING SCREW | | X | X |
| 03 | 979148-001 | LIGHT COMPLETE | X | X | X |
| 04 | 979146-001 | LIGHT SOCKET BRACKET | X | X | X |
| 05 | 141913-451 | LIGHT SOCKET MOUNTING SCREW | X | X | X |
| 06 | 113455-001 | LIGHT LEAD WIRE RETAINER MOUNTING SCREW | X | X | X |
| 07 | 353247 | LIGHT LEAD WIRE RETAINER | X | X | X |
| 08 | 549887-003 | LAMP | X | X | X |
| 09 | 113372-451 | MOTOR GUIDE PIN MOUNTING BRACKET SCREW | X | X | X |
| 10 | 446470 | MOTOR GUIDE PIN MOUNTING BRACKET ASSEMBLY | X | X | X |
| 11 | 313470-452 | MOTOR GUIDE PIN MOUNTING BRACKET SCREW NUT | X | X | X |
| 12 | 446473 | MOTOR BELT TENSION SPRING | X | X | X |
| 13 | 446475 | MOTOR GUIDE PIN BUSHING | X | X | X |
| 14 | 179901 | HEAT SHIELD (WITHOUT GRAPHICS) | X | X | X |
| 15 | 988759-005 | MOTOR COMPLETE | X | X | X |
| 16 | 988752-005 | SERIES MOTOR MODULE | X | X | X |
| 17 | 988768-002 | LIGHT RECEPTACLE HARNESS (SURPRESSED) COMPLETE | X | X | X |
| 18 | 605600-001 | TYE RAP | X | X | X |
| 19 | 988760-002 | COMMUTATOR END COVER | X | X | X |
| 20 | 604018-003 | MOTOR MODULE WASHER | X | X | X |
| 21 | 602907-001 | MOTOR MODULE NUT | X | X | X |
| 22 | 988761-001 | MOTOR PULLEY | X | X | X |
| 23 | 988763-P02 | SWITCH WITH CONNECTOR AND CONTACT LEADS | X | X | X |
| 24 | 113370-451 | MOTOR MOUNTING PLATE SCREW | X | X | X |
| 25 | 446476 | MOTOR MOUNTING PLATE | X | X | X |
| 26 | 353355 | MOTOR MOUNTING PLATE GROMMET | X | X | X |
| 27 | 446479 | MOTOR MOUNTING PLATE ASSEMBLY | X | X | X |
| 28 | 353402-451 | MOTOR MOUNTING SCREW LOCK NUT | X | X | X |
| 29 | 445539 | MOTOR MOUNTING SCREW LOCK NUT WASHER | X | X | X |
| 30 | 179887 | MOTOR BELT SCREW NUT | X | X | X |
| 31 | 113343-451 | MOTOR BELT SCREW | X | X | X |
| 32 | 988887-001 | MOTOR BELT SCREW CAP | X | X | X |
| 33 | 353518-001 | MOTOR BELT | X | X | X |
| 34 | 411837-001 | CONTROLLER | X | X | X |

From the library of: Diamond Needle Corp